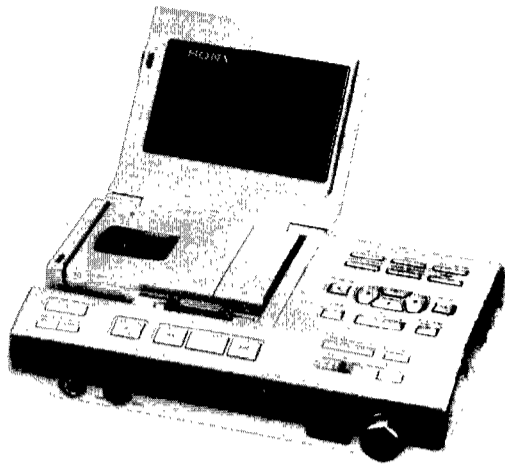



MZ-R5ST

SERVICE MANUAL

Tourist Model



26 DIC. 1997

Manufactured under license from Dolby Laboratories Licensing Corporation.
"DOLBY" and the double-D symbol  are trademarks of Dolby Laboratories Licensing Corporation.

Model Name Using Similar Mechanism	MZ-R50
Mini Disc Mechanism Type	MT-MZR50-143
Optical Pick-up Type	KMS-280A/J2N

U.S and foreign patents licensed from Dolby Laboratories Licensing Corporation.

SPECIFICATIONS

System

Audio playing system MiniDisc digital audio system
 Laser diode properties Material: GaAlAs
 Wavelength: $\lambda = 780 \text{ nm}$
 Emission duration : continuous
 Laser output : less than 44.6 mW
 This output is the value measured at a distance of 200 mm from the objective lens surface on the optical pick-up block with 7 mm aperture.

Recording and playback time

Maximum 74 minutes (MDW-74, stereo recording)
 Maximum 148 minutes (MDW-74, monaural recording)

Revolutions

400 rpm to 900 rpm (CLV)

Error correction

Advanced Cross Interleave Reed Solomon Code (ACIRC)

Sampling frequency

44.1 kHz

Coding

Adaptive Transform Acoustic Coding (ATRAC)

Modulation system

EFM (Eight to Fourteen Modulation)

Number of channels

2 stereo channels
1 monaural channel

Wow and Flutter

Below measurable limit

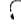
Recorder

Frequency response 20 to 20,000 Hz $\pm 3 \text{ dB}$

Input

MIC (PLUG IN POWER): stereo mini-jack, 0.22 to 0.78 mV

Output

 /REMOTE: stereo mini-jack, maximum output level 5 mW + 5 mW, load impedance 16 Ω

Station

Frequency response

5 to 20,000 Hz $\pm 0.5 \text{ dB}$

Input

LINE (ANALOG) IN: phono jack, rated input level 500 mV

DIGITAL IN OPT1, OPT2: rectangular-shaped optical plug, wavelength 660 nm

Output

LINE (ANALOG) IN: phono jack, rated output level 500 mV, load impedance 10 kilohms or greater

ACTIVE SP OUT: stereo minijack, rated output level 500 mV, load impedance 4.7 kilohms or greater

DIGITAL OUT: rectangular-shaped optical plug, output level -17 dBm, wavelength 660 nm

— Continued on next page —

PORTABLE MINIDISC RECORDER

SONY®



Sampling rate converter

HEADPHONES: stereo phone jack, peak output level 5 mW + 5 mW, load impedance 16 Ω

Input: 32 kHz/44.1 kHz/48 kHz
Output: 44.1 kHz

General

Power requirements
Recorder:

Lithium ion rechargeable battery LIP-8 (supplied)
Two LR6 (size AA) alkaline dry batteries (not supplied)

Station:

Sony AC power adaptor (supplied) connected to the DC IN 9V jack:
220 to 230 V AC, 50/60 Hz (European model)
100 to 240 V AC, 50/60 Hz (Other models)

Battery life

For longer recordings, we recommend using the recorder attached to the station.

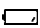
Batteries	Recording ²⁾	Playback
LIP-8 lithium ion rechargeable battery	Approx. 3.5 hours	Approx. 5.5 hours
Two LR6 (size AA) Sony alkaline dry batteries	— ³⁾	Approx. 9 hours
LIP-8 + two LR6 (size AA)	— ³⁾	Approx. 16 hours

¹⁾ The battery life may be shorter due to operating conditions and the temperature of the location.

²⁾ When you record, use a fully charged rechargeable battery.

³⁾ Recording time may differ according to the alkaline batteries

When to replace the batteries

When the dry batteries or rechargeable battery are weak,  or "LoBATT" flashes in the display of the recorder or the remote control. Replace the dry batteries or charge the rechargeable battery.

Dimensions

Recorder: Approx. 104.5 x 20.1 x 77 mm (4 1/8 x 13/16 x 3 1/8 in.)
Station: Approx. 232 x 61 x 154 mm (9 1/4 x 2 1/2 x 6 1/8 in.) (w/h/d) not incl. projecting parts and controls

Mass

Recorder: Approx. 185 g (6.6 oz)
Approx. 235 g (8.3 oz.) incl. a recordable MD, headphones with remote control, and LIP-8 lithium ion rechargeable battery
Station: Approx. 970 g (34.2 oz.)

Supplied accessories

AC power adaptor (1)
Card remote commander (1)
Headphones with remote control (1)
Lithium ion rechargeable battery LIP-8 (1)
Battery case (1)
Optical cable (1) (European model only)
Ear attachment (1)
Carrying pouch (1)

Optional accessories

Battery charger (for LIP-8) BC-LIP8
Lithium ion rechargeable battery LIP-8

Optical Cable

POC-151HG, POC-152HG, POC-MZ1, POC-MZ2, POC-15B, POC-15AB, POC-DA12SP
Line Cable RK-G136
Stereo Microphones ECM-717, ECM-MS907, ECM-MS957
Stereo Headphones MDR-D77, MDR-D55, MDR-CD470, MDR-E888SP
Active Speakers SRS-Z1000
Recordable MDs MDW-series
MiniDisc Carrying Case CK-MD4
MiniDisc Filing Box CK-MD10

US and foreign patents licensed from Dolby Laboratories Licensing Corporation.

Design and specifications are subject to change without notice.

SAFETY-RELATED COMPONENT WARNING!!

COMPONENTS IDENTIFIED BY MARK A OR DOTTED LINE WITH MARK A ON THE SCHEMATIC DIAGRAMS AND IN THE PARTS LIST ARE CRITICAL TO SAFE OPERATION. REPLACE THESE COMPONENTS WITH SONY PARTS WHOSE PART NUMBERS APPEAR AS SHOWN IN THIS MANUAL OR IN SUPPLEMENTS PUBLISHED BY SONY.

ATTENTION AU COMPOSANT AYANT RAPPORT À LA SÉCURITÉ!

LES COMPOSANTS IDENTIFIÉS PAR UNE MARQUE A SUR LES DIAGRAMMES SCHÉMATIQUES ET LA LISTE DES PIÈCES SONT CRITIQUES POUR LA SÉCURITÉ DE FONCTIONNEMENT. NE REMPLACER CES COMPOSANTS QUE PAR DES PIÈCES SONY DONT LES NUMÉROS SONT DONNÉS DANS CE MANUEL OU DANS LES SUPPLÉMENTS PUBLIÉS PAR SONY.

SECTION 7 EXPLODED VIEWS

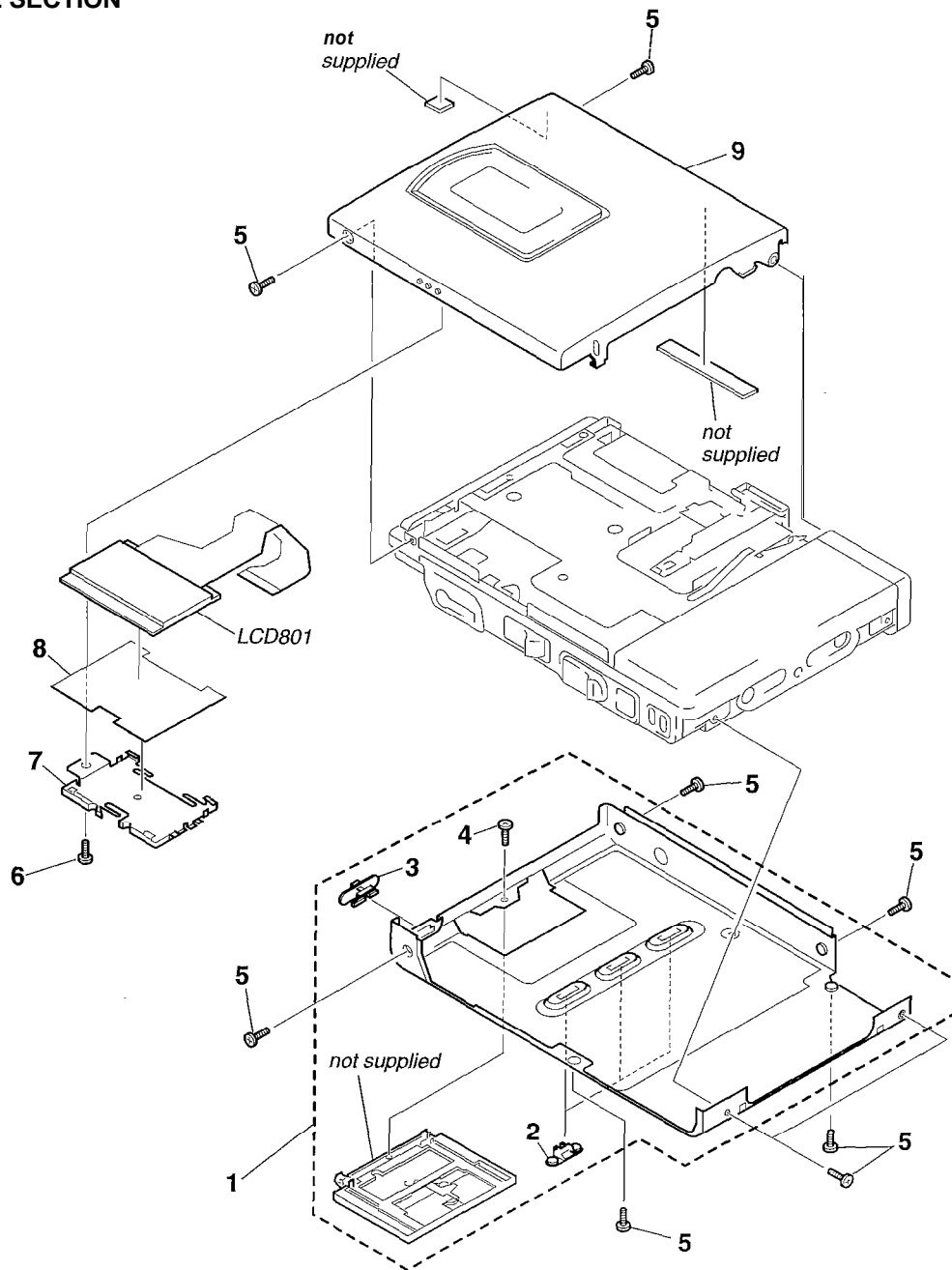
NOTE:

- -XX, -X mean standardized parts, so they may have some differences from the original one.
- Items marked "*" are not stocked since they are seldom required for routine service. Some delay should be anticipated when ordering these items.

- The mechanical parts with no reference number in the exploded views are not supplied.
- Hardware (# mark) list and accessories and packing materials are given in the last of this parts list.

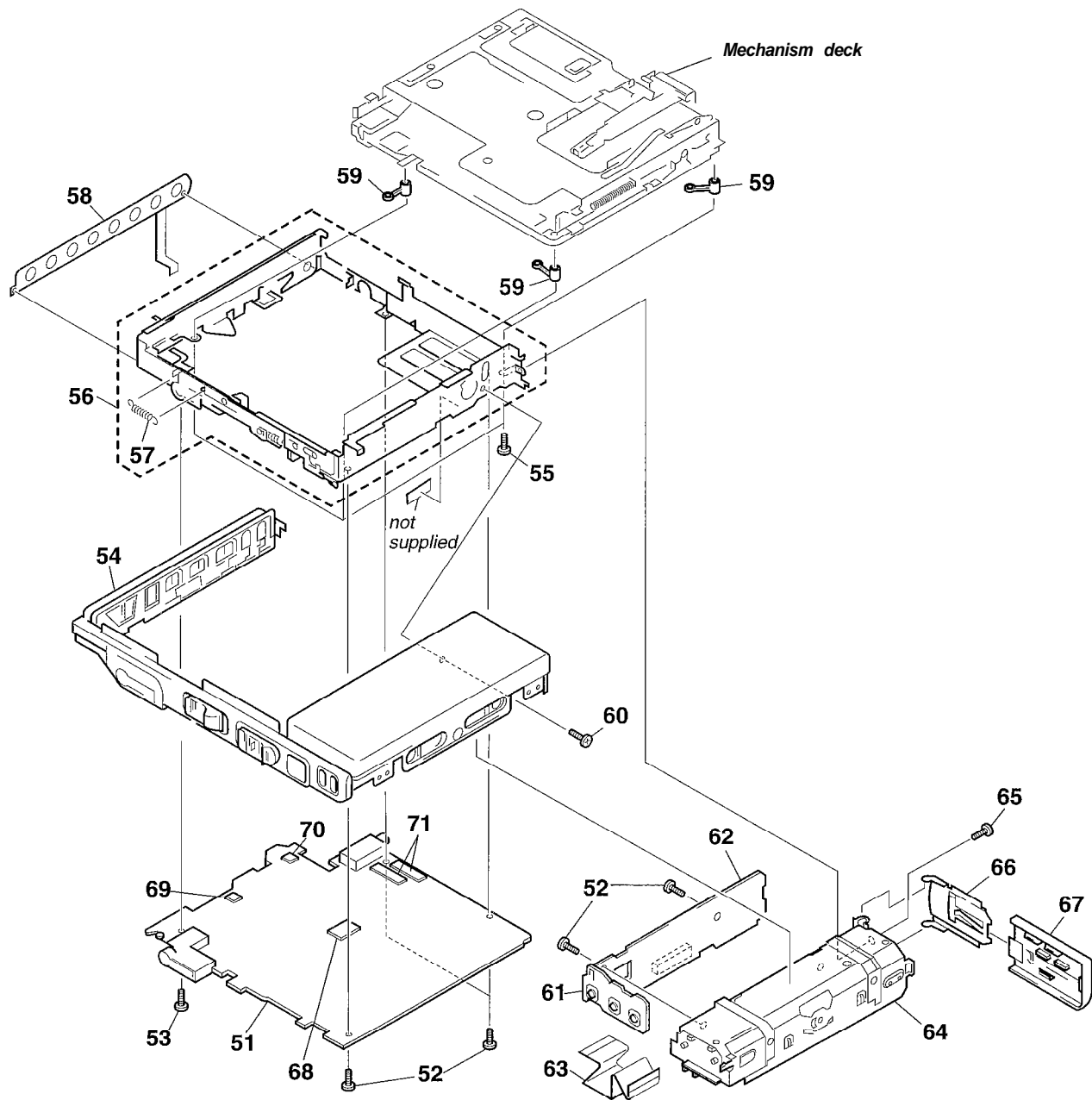
The components identified by mark Δ or dotted line with mark Δ are critical for safety. Replace only with part number specified.

7-1. PANEL SECTION



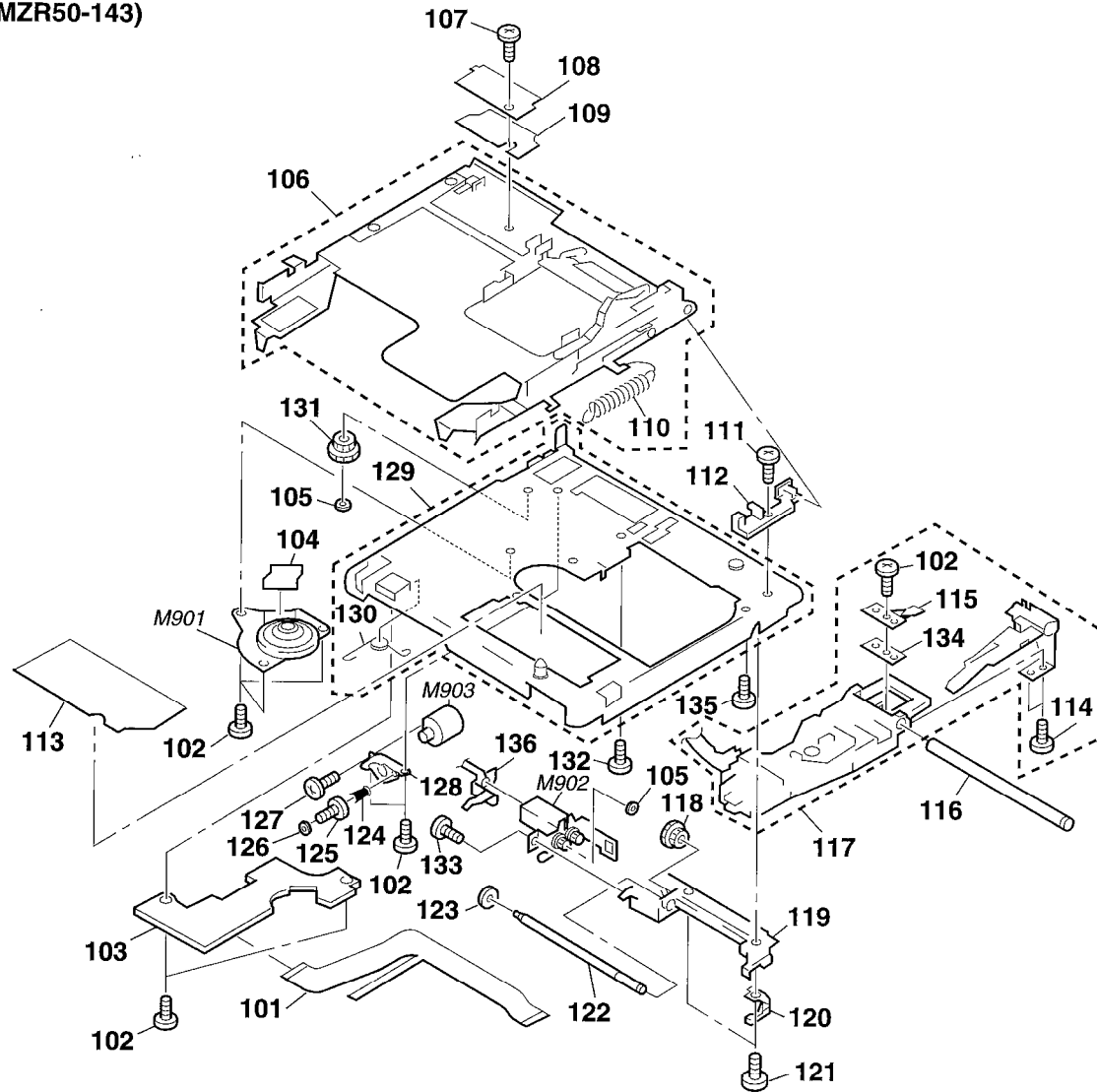
Ref. No.	Part No.	Description	Remarks	Ref. No.	Part No.	Description	Remarks
1	X-4949-157-1	PANELASSY, BOTTOM		6	3-366-890-11	SCREW(M1.4)	
2	3-938-805-01	KNOB (DOLBY)		7	4-983-979-01	HOLDER (LCD)	
3	3-919-630-01	KNOB (AVLS)		8	4-985-621-01	SPACER (LCD)	
4	3-348-998-31	SCREW (M1.4X2.5), TAPPING, PAN		9	X-4949-156-1	PANELASSY, UPPER	
5	4-963-883-61	SCREW (M1.4), PRECISION PAN		LCD801	i-801-903-11	LCD	

7-2. MAIN BOARD SECTION



Ref. No.	Part No.	Description	Remarks	Ref. No.	Part No.	Description	Remarks
51	A-3293-769-A	MAIN BOARD ASSY		62	A-3293-770-A	POWER BOARD ASSY	
52	3-335-797-91	SCREW (M1.4), TOOTHED LOCK		63	I-782-708-11	WIRE (FLAT TYPE) (20 CORE)	
53	4-995-436-01	SCREW (HP), STEP		64	X-4949-116-1	CASE ASSY, BATTERY	
54	X-4949-155-1	BELT ASSY, ORNAMENTAL		65	4-963-883-61	SCREW (M1.4), PRECISION PAN	
55	4-995-437-01	SCREW (DAMPER)		66	4-995-432-01	HINGE, BATTERY	
56	X-4949-154-1	CHASSIS (MAIN ST) ASSY		67	4-995-722-01	LID, BATTERY CASE	
57	4-995-402-01	SPRING (LOCK), TENSION		68	4-998-405-01	SHEET (CLV)	
58	I-475-368-11	SW UNIT		69	4-998-407-01	HIMERONTAPE (DAMPER)	
59	4-995-435-01	DAMPER (R50)		70	4-998-844-01	SHEET (SW)	
60	3-349-825-51	SCREW		71	4-998-406-01	SHEET (LCD)	
* 61	I-667-219-11	SW BOARD					

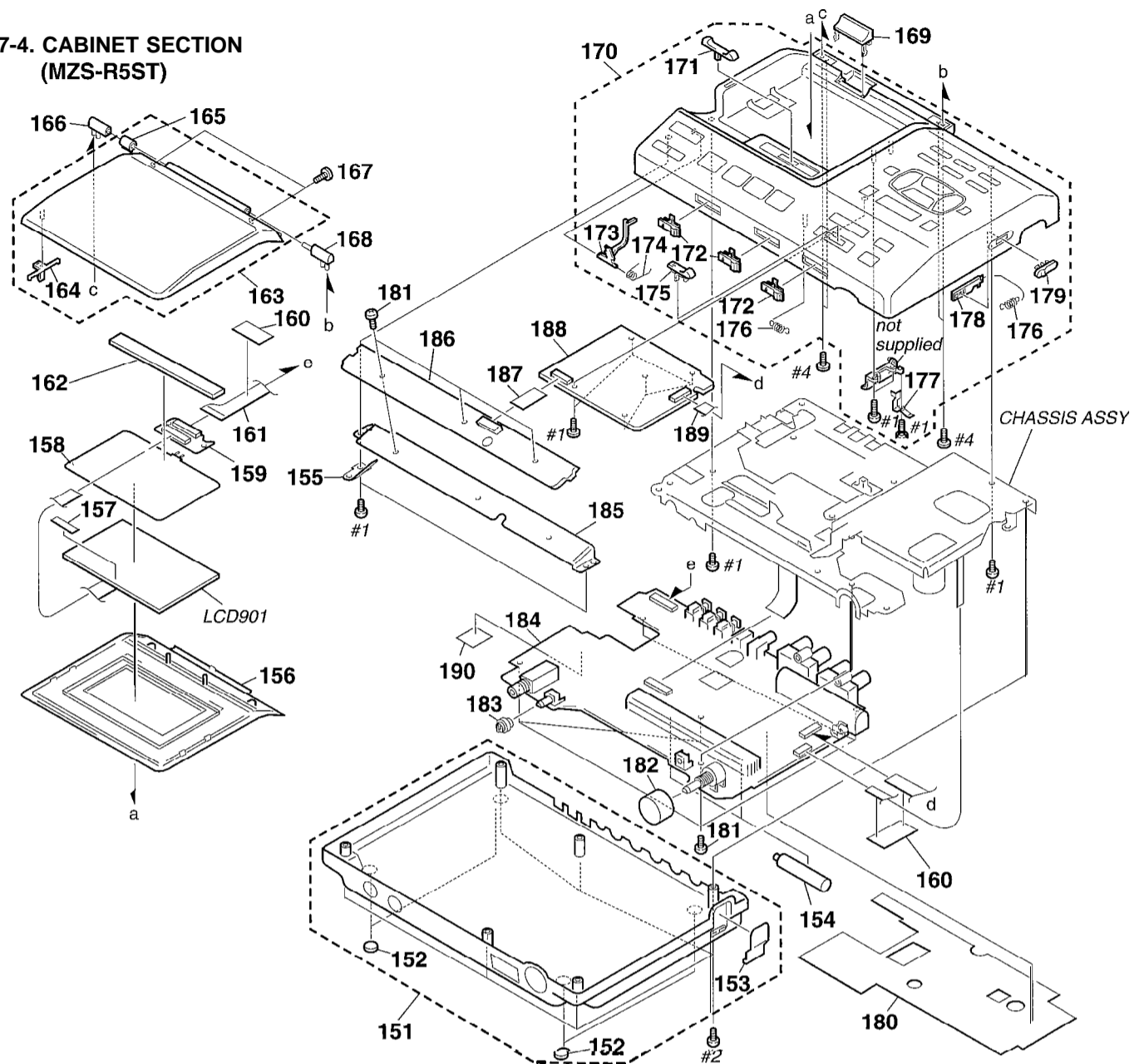
7-3. MD MECHANISM SECTION
(MT-MZR50-143)



Ref. No.	Part No.	Description	Remarks	Ref. No.	Part No.	Description	Remarks
101	I-667-210-11	MD FLEXIBLE BOARD		121	4-963-883-41	SCREW (M1.4), PRECISION PAN	
102	4-963-883-01	SCREW (M1.4), PRECISION PAN		122	4-995-580-01	SCREW, LEAD	
103	A-3293-756-A	CLVBOARD, COMPLETE		123	4-995-586-01	GEAR (SD)	
104	I-667-690-11	CLV FLEXIBLE BOARD		124	4-972-546-01	SPRING (WORM GEAR), COMPRESSION	
105	3-338-645-31	WASHER (0.8-2.5)		125	4-963-901-01	GEAR, WORM	
106	x-4949-129-1	HOLDER ASSY		126	3-315-384-11	WASHER, STOPPER	
107	3-349-825-41	SCREW		127	4-964-564-01	SCREW (M. 2X1.6)	
108	A-3293-755-A	PCB, COMPLETE		128	X-4949-127-1	CHASSIS ASSY, GEAR	
109	4-995-575-01	SHEET, INSULATING		129	X-4949-126-1	CHASSIS ASSY	
110	4-995-573-01	SPRING, TENSION		130	4-995-585-01	SPRING (LIMITER), TORSION	
111	3-704-246-13	SCREW (P1.4X2.0)		131	4-963-898-11	GEAR (WORM WHEEL)	
* 112	4-995-568-01	GUIDE, HOLDER		132	3-704-197-31	SCREW (M1.4X3.0), LOCKING	
113	4-995-572-01	SHEET, BLIND		133	3-015-033-01	SCREW (DIA. 1.4X4), PRECISION	
114	4-955-841-01	SCREW		134	4-997-228-1 1	SPACER (RACK SPRING)	
115	4-995-570-01	SPRING, RACK		135	4-997-172-01	SCREW (M1.4X3)	
116	4-995-567-01	SHAFT, MAIN		136	1-667-211-11	MD FLEXIBLE BOARD	
8117	X-4949-256-1	OPTICAL PICK-UP ASSY (KMS-280A/JZN)		M901	1-763-01-1-11	MOTOR	
118	4-995-578-01	GEAR (SC)		M902	A-3311-972-A	MOTOR BLOCK ASSY, SLED	
119	x-4949-131-1	BRACKET(S) ASSY		M903	A-3320-037-A	STEPPER BLOCK ASSY	
120	4-995-571-01	SPRING, THRUST					

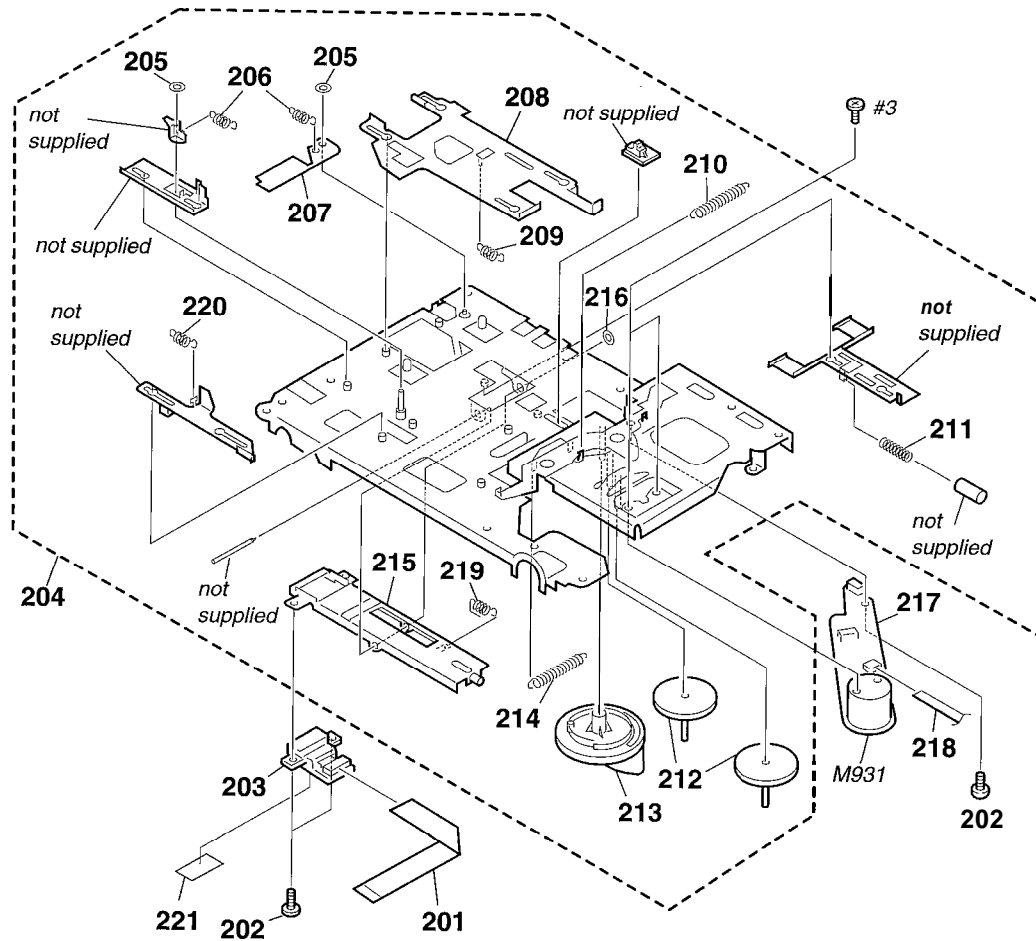
The components identified by mark \triangle or dotted line with mark \triangle are critical for safety. Replace only with part numbers specified.

7-4. CABINET SECTION
(MZS-R5ST)



Ref. No.	Part No.	Description	Remarks	Ref. No.	Part No.	Description	Remarks
151	X-4948-958-i	CABINET(LOWER) ASSY		171	4-994-416-01	KNOB(RELEASE)	
152	3-329-013-01	FOOT, RUBBER		172	4-983-880-11	KNOB(D/A)	
153	4-994-423-01	LID, BATTERY CASE		173	4-994-417-01	LEVER(LCD)	
* 154	1-528-797-11	BATTERY, NI-CD		174	4-994-418-01	SPRING, TORSION	
155	4-996-753-01	TERMINAL, GROUND		175	4-983-881-01	KNOB(REC)	
156	X-4949-300-1	PANEL(LCD) ASSY, INNER		176	3-539-226-00	SPRING, TENSION	
157	4-994-432-01	SHEET(LCD)(B), ADHESIVE		177	4-994-421-01	CONTACT(GROUND)	
158	I-801-897-11	ELEMENT, EL LUMINOUS		178	4-994-415-01	LEVER(LID LOCK)	
* 159	I-667-220-11	LCD/ELBOARD		179	4-983-290-31	KNOB(OPEN)	
160	3-831-441-99	CUSHION(B), CABINET		180	4-996-867-01	PAPER, SHIELD	
161	I-667-281-11	LCD/EL FLEXIBLE BOARD		181	4-987-714-01	SCREW	
162	4-998-442-01	CUSHION		182	X-4949-239-i	KNOB(REC VOL) ASSY	
163	X-4948-959-i	PANEL(LCD) BLOCKASSY, OUTER		183	4-973-220-21	KNOB(VOL)	
164	4-994-435-01	KNOB(LCD OPEN)		184	A-3306-961-A	RADIAL BOARD, COMPLETE	
165	X-4948-642-1	FULCRUM ASSY, 1200 LCD LID		* 185	4-994-419-01	BRACKET(SWPC BOARD)	
166	4-994-436-01	COVER(L), HINGE		* 186	1-667-234-11	STATION SW2 BOARD	
167	3-334-565-51	SCREW(B1.7), TAPPING		187	1-782-719-11	WIRE(FLAT TYPE)(14 CORE)	
168	4-994-437-01	COVER(R), HINGE		* 188	1-667-233-11	STATION SW1 BOARD	
169	4-994-438-01	COVER(FLEXIBLE)		189	1-782-851-11	WIRE(FLAT TYPE)(16 GORE)	
170	X-4948-953-1	CABINET(UPPER) ASSY		190	3-831-441-99	CUSHION(B), CABINET	
				LCD901	I-801-898-11	LCD MODULE	

7-5. SHASSIS SECTION
(MZS-R5ST)



Ref. No.	Part No.	Description	Remarks	Ref. No.	Part No.	Description	Remarks
201	I-782-852-11	WIRE (FLAT TYPE) (22 CORE)		212	4-983-867-01	GEAR(STEP)	
202	4-987-714-01	SCREW		213	4-983-868-11	GEAR (CAM)	
* 203	1-667-231-11	STATION CN BOARD		214	3-542-481-00	SPRING, TENSION	
204	X-4948-960-1	CHASSISASSY		215	X-4947-409-1	ARMASSY, CONNECTOR	
- 205	3-341-752-11	WASHER, POLYETHYLENE		216	4-988-064-01	WASHER (ARM)	
206	3-305-902-00	SPRING, TENSION		217	I-667-232-11	MECHASWBOARD	
207	4-983-862-01	SHUTTER (ST)		218	I-782-850-11	WIRE (FLAT TYPE) (6 CORE)	
208	4-983-861-11	LOCKSLIDER		219	4-987-869-01	SPRING, TENSION	
209	4-998-235-01	SPRING, TENSION		220	4-954-160-01	SPRING, TENSION	
210	3-440-152-03	SPRING, TENSION		* 221	3-344-749-01	RETAINER (B)	
211	3-655-233-01	SPRING		M931	A-3304-761-A	MOTORASSY	

SECTION 8
ELECTRICAL PARTS LIST

NOTE:

When indicating parts by reference number, please include the board name.

The components identified by mark Δ or dotted line with mark Δ are critical for safety. Replace only with part number specified.

Due to standardization, replacements in the parts list may be different from the parts specified in the diagrams or the components used on the set.

-XX, -X mean standardized parts, so they may have some difference from the original one.

Items marked "*" are not stocked since they are seldom required for routine service. Some delay should be anticipated when ordering these items.

• CAPACITORS:
uF; μ F

• RESISTORS
All resistors are in ohms.
METAL: metal-film resistor
METAL OXIDE: Metal Oxide-film resistor
F: nonflammable

• COILS
uH; μ H

• SEMICONDUCTORS
In each case, u; μ , for example:
uA...; μ A..., uPA..., μ PA...,
uPB..., μ PB..., uPC..., μ PC...,
uPD..., μ PD..

Ref. No.	Patt. No.	Description	Remarks	Ref. No.	Part No.	Description	Remarks
	A-3293-756-A	CLVBOARD *****			1-667-220-11	LCD/EL BOARD *****	
		< CAPACITOR >				< CONNECTOR >	
C701	1-164-227-11	CERAMCCHIP 0.022uF	10% 25v	CN604	1-569-532-11	HOUSING, CONNECTOR 30P	
C702	1-165-176-11	CERAMCCHIP 0.047uF	10% 16V	CN605	1-569-532-11	HOUSING, CONNECTOR 30P	
C703	1-164-227-11	CERAMCCHIP 0.022uF	10% 25V	*****			
C704	1-107-826-11	CERAMCCHIP 0.1uF	10% 16V		A-3293-769-A	MAIN BOARD *****	
c705	1-162-967-11	CERAMCCHIP 0.0033uF	10% 50v			< CAPACITOR >	
C706	1-162-967-11	CERAMCCHIP 0.0033uF	10% 50v	C101	1-162-966-11	CERAMCCHIP 0.0022uF	10% 50v
c707	1-162-967-11	CERAMCCHIP 0.0033uF	10% 50v	C103	1-135-337-11	TANTAL. CHIP 1uF	20% 6.3V
C709	1-107-826-11	CERAMCCHIP 0.1uF	10% 16V	C104	1-162-964-11	CERAMCCHIP 0.001uF	10% 50v
c710	1-109-982-11	CERAMCCHIP 1uF	10% 10V	C105	1-164-217-11	CERAMCCHIP 150PF	5% 50v
C711	1-107-826-11	CERAMCCHIP 0.1uF	10% 16V	C106	1-110-569-11	TANTAL. CHIP 47uF	20% 6.3V
		< CONNECTOR >		C107	1-117-919-11	TANTAL. CHIP 10uF	20% 6.3V
CN701	1-573-927-11	CONNECTOR, FFC/FPC (ZIF) 18P		C109	1-117-919-11	TANTAL. CHIP 10uF	20% 6.3V
CN702	1-573-915-11	CONNECTOR, FFC/FPC (ZIF) 6P		C110	1-135-337-11	TANTAL. CHIP 1uF	20% 6.3V
		< IC >		C117	1-119-660-11	TANTAL. CHIP 4.7uF	20% 6.3V
IC701	8-759-335-44	IC CXA8048N		C118	1-164-156-11	CERAMCCHIP 0.1uF	25V
		< TRANSISTOR >		C120	1-107-823-11	CERAMCCHIP 0.47uF	10% 16V
Q703	8-729-427-83	TRANSISTOR XP6501		C124	1-165-128-11	CERAMCCHIP 0.22uF	16V
		< RESISTOR >		C125	1-162-964-11	CERAMCCHIP 0.001uF	10% 50v
R701	1-218-871-11	RES, CHIP 10K (1608)		C161	1-162-963-11	CERAMCCHIP 680PF	10% 50v
R702	1-218-871-11	RES, CHIP 10K (1608)		C168	1-109-982-11	CERAMCCHIP 1uF	10% 10V
R703	1-216-815-11	METALCHIP 330	5% 1/16W	C201	1-162-966-11	CERAMCCHIP 0.0022uF	10% 50v
R704	1-217-671-11	METALCHIP 1	5% 1/10W	C203	1-135-337-11	TANTAL. CHIP 1uF	20% 6.3V
R705	1-217-671-11	METALCHIP 1	5% 1/10W	C204	1-162-964-11	CERAMCCHIP 0.001uF	10% 50v
R706	1-216-833-11	METALCHIP 10K	5% 1/16W	C205	1-164-217-11	CERAMCCHIP 150PF	5% 50v
R711	1-216-864-11	METALCHIP 0	5% 1/16W	C206	1-110-569-11	TANTAL. CHIP 47uF	20% 6.3V
		< SWITCH >		C207	1-117-919-11	TANTAL. CHIP 10uF	20% 6.3V
S701	1-762-805-41	SWITCH, PUSH (1 KEY) (MEDIA)		C209	1-117-919-11	TANTAL. CHIP 10uF	20% 6.3V
S702	1-762-835-11	SWITCH, PUSH (1 KEY) (PROTECT)		C210	1-135-337-11	TANTAL. CHIP 1uF	20% 6.3V
S703	1-762-805-41	SWITCH, PUSH (1 KEY) (REFLECT)		C217	1-119-660-11	TANTAL. CHIP 4.7uF	20% 6.3V
S704	1-771-092-21	SWITCH, PUSH (1 KEY) (INITIAL)		C218	1-164-156-11	CERAMCCHIP 0.1uF	25V
S705	1-572-467-41	SWITCH, PUSH (1 KEY) (INLIMIT)		C220	1-107-823-11	CERAMCCHIP 0.47uF	10% 16V
*****				C224	1-165-128-11	CERAMCCHIP 0.22uF	16V
				C225	1-162-964-11	CERAMCCHIP 0.001uF	10% 50v
				C261	1-162-963-11	CERAMCCHIP 680PF	10% 50v
				C268	1-109-982-11	CERAMCCHIP 1uF	10% 10V
				c292	1-119-660-11	TANTAL. CHIP 4.7uF	20% 6.3V
				c293	1-104-912-11	TANTAL. CHIP 3.3uF	20% 6.3V
				c294	1-104-847-11	TANTAL. CHIP 22uF	20% 4v
				c295	1-119-660-11	TANTAL. CHIP 4.7uF	20% 6.3V
				C296	1-107-826-11	CERAMCCHIP 0.1uF	10% 16V

Ref. No.	Part No.	Description	Remarks	Ref. No.	Part No.	Description	Remarks
C301	1-164-156-i 1	CERAMIC CHIP	0.1uF 25V	c551	1-104-912-11	TANTAL. CHIP	3.3uF 20% 16V
C303	1-117-919-11	TANTAL. CHIP	10uF 20% 6.3V	C552	1-104-912-11	TANTAL. CHIP	3.3uF 20% 16V
C304	1-162-964-11	CERAMIC CHIP	0.001uF 10% 50v	c553	1-113-682-11	TANTAL. CHIP	33uF 20% 10V
C305	1-110-569-11	TANTAL. CHIP	47uF 20% 6.3V	c554	1-104-913-11	TANTAL. CHIP	10uF 20% 16V
C306	1-162-964-11	CERAMIC CHIP	0.001uF 10% 50V	c555	1-164-156-11	CERAMCCHIP	0.1uF 25V
C307	1-164-156-11	CERAMIC CHIP	0.1uF 25V	c559	1-162-962-11	CERAMIC CHIP	470PF 10% 50v
C310	1-164-361-11	CERAMIC CHIP	0.047uF 16V	C560	1-165-176-11	CERAMIC CHIP	0.047uF 10% 16V
C315	1-164-156-11	CERAMCCHIP	0.1uF 25V	C561	1-165-176-11	CERAMCCHIP	0.047uF 10% 16V
C318	1-164-156-11	CERAMIC CHIP	0.1uF 25V	C562	1-104-852-11	TANTAL. CHIP	22uF 20% 10V
C320	1-164-156-11	CERAMCCHIP	0.1uF 25V	C563	1-109-982-11	CERAMIC CHIP	1uF 10% 10V
C321	1-110-569-11	TANTAL. CHIP	47uF 20% 6.3V	C564	1-162-967-11	CERAMCCHIP	0.0033uF 10% 50v
C322	1-117-919-11	TANTAL. CHIP	10uF 20% 6.3V	C565	1-135-180-21	TANTALUM CHIP	3.3uF 20% 6.3V
C327	1-104-852-11	TANTAL. CHIP	22uF 20% 6.3V	C566	1-162-970-11	CERAMIC CHIP	0.01uF 10% 25V
C338	1-109-982-11	CERAMCCHIP	1uF 10% 10V	C567	1-107-826-11	CERAMCCHIP	0.1uF 10% 16V
c345	1-119-661-11	TANTAL. CHIP	33uF 20% 6.3V	C569	1-164-227-11	CERAMIC CHIP	0.022uF 10% 25V
C346	1-117-919-11	TANTAL. CHIP	10uF 20% 6.3V	C570	1-119-661-11	TANTAL. CHIP	33uF 20% 6.3V
c359	1-162-964-11	CERAMCCHIP	0.001uF 10% 50v	c571	1-119-661-11	TANTAL. CHIP	33uF 20% 6.3V
C365	1-117-919-11	TANTAL. CHIP	10uF 20% 6.3V	c574	1-162-970-11	CERAMCCHIP	0.01uF 10% 25V
C366	1-164-156-11	CERAMCCHIP	0.1uF 25V	c575	1-164-156-11	CERAMIC CHIP	0.1uF 25V
C368	1-162-964-11	CERAMIC CHIP	0.001uF 10% 50V	C576	1-162-970-11	CERAMIC CHIP	0.01uF 10% 25V
C369	1-164-156-11	CERAMIC CHIP	0.1uF 25V	c714	1-117-919-11	TANTAL. CHIP	10uF 20% 6.3V
c399	1-107-816-11	TANTAL. CHIP	0.68uF 20% 10V	C716	1-117-919-11	TANTAL. CHIP	10uF 20% 6.3V
C501	1-115-169-11	TANTALUM	10uF 20% 6.3V	C812	1-162-970-11	CERAMCCHIP	0.01uF 10% 25V
C504	1-117-919-11	TANTAL. CHIP	10uF 20% 6.3V	C813	1-162-970-11	CERAMIC CHIP	0.01uF 10% 25V
C505	1-117-919-11	TANTAL. CHIP	10uF 20% 6.3V	C814	1-162-970-1	CERAMCCHIP	0.01uF 10% 25V
C506	1-162-965-11	CERAMIC CHIP	0.0015uF 10% 50v	C815	1-162-970-I 1	CERAMIC CHIP	0.01uF 10% 25V
C507	1-107-826-11	CERAMCCHIP	0.1uF 10% 16V	C816	1-164-156-1	CERAMCCHIP	0.1uF 25V
C508	1-162-969-11	CERAMIC CHIP	0.0068uF 10% 25V	C818	1-164-156-1	CERAMIC CHIP	0.1uF 25V
C509	1-115-467-11	CERAMIC CHIP	0.22uF 10% 10V	C819	1-164-156-1	CERAMCCHIP	0.1uF 25V
C510	1-162-968-11	CERAMCCHIP	0.0047uF 10% 50V	C820	1-162-970-1	CERAMIC CHIP	0.01uF 10% 25V
C511	1-162-966-11	CERAMCCHIP	0.0022uF 10% 50v	C821	1-162-927-11	CERAMCCHIP 100PF	5% 50v
C512	1-162-970-11	CERAMCCHIP	0.01uF 10% 25V	C822	1-162-927-11	CERAMCCHIP 100PF	5% 50v
C513	1-162-970-11	CERAMIC CHIP	0.01uF 10% 25V	C824	1-164-156-11	CERAMIC CHIP	0.1uF 25V
c515	1-119-661-11	TANTAL. CHIP	33uF 20% 6.3V	C825	1-162-970-11	CERAMIC CHIP	0.01uF 10% 25V
c517	1-107-826-11	CERAMIC CHIP	0.1uF 10% 16V	C826	1-162-970-11	CERAMCCHIP	0.01uF 10% 25V
C518	1-162-970-11	CERAMIC CHIP	0.01uF 10% 25V	C827	1-162-970-I 1	CERAMCCHIP	0.01uF 10% 25V
C519	1-109-982-11	CERAMIC CHIP	1uF 10% 10V	C829	1-109-982-i 1	CERAMCCHIP	1uF 10% 10V
C521	1-164-677-11	CERAMIC CHIP	0.033uF 10% 16V	C830	1-110-569-I 1	TANTAL. CHIP	47uF 20% 6.3V
C522	1-162-970-11	CERAMCCHIP	0.01uF 10% 25V	C831	1-104-852-1 1	TANTAL. CHIP	22uF 20% 10V
C524	1-164-156-11	CERAMIC CHIP	0.1uF 25V	C833	1-164-156-I 1	CERAMCCHIP	0.1uF 25V
C525	1-104-852-11	TANTAL. CHIP	22uF 20% 6.3V	C834	1-162-927-11	CERAMCCHIP 100PF	5% 50v
C526	1-164-156-11	CERAMIC CHIP	0.1 uF 25V	C851	1-162-970-11	CERAMIC CHIP	0.01uF 10% 25V
c529	1-162-970-11	CERAMCCHIP	0.01uF 10% 25V	C861	1-109-982-11	CERAMIC CHIP	1uF 10% 10V
C530	1-107-823-11	CERAMIC CHIP	0.47uF 10% 16V	C862	1-162-970-11	CERAMIC CHIP	0.01uF 10% 25V
G531	1-162-927-11	CERAMIC CHIP	100PF 5% 50V	C865	1-162-970-11	CERAMIC CHIP	0.01uF 10% 25V
C532	1-162-967-11	CERAMIC CHIP	0.0033uF 10% 50v	C899	1-251-641-11	ELEMENT, STORAGE	
c533	1-107-826-11	CERAMCCHIP	0.1uF 10% 16V			< CONNECTOR >	
c534	1-107-826-11	CERAMIC CHIP	0.1uF 10% 16V	CN501	1-573-931-11	CONNECTOR, FFC/FPC (ZIF) 22P	
C536	1-164-156-11	CERAMCCHIP	0.1uF 25V	CN502	1-573-362-11	CONNECTOR, FFC/FPC 22P	
c537	1-104-908-11	TANTAL. CHIP	47uF 20% 4v	CN801	1-573-360-21	CONNECTOR: FFC/FPC 20P	
C538	1-107-826-11	CERAMCCHIP	0.1uF 10% 16V	CN803	1-573-918-11	CONNECTOR, FFC/FPC (ZIF) 9P	
c541	1-162-917-11	CERAMIC CHIP	15PF 5% 50v	CN804	1-573-365-21	CONNECTOR, FFC/FPC 25P	
C542	1-162-917-11	CERAMIC CHIP	15PF 5% 50v			< DIODE >	
c544	1-107-826-11	CERAMIC CHIP	0.1uF 10% 16V	D302	8-719-066-17	DIODE FTZ6.8E-T148	
c545	1-104-852-11	TANTAL. CHIP	22uF 20% 10V	D303	8-719-066-17	DIODE FTZ6.8E-T148	
C546	1-162-970-11	CERAMIC CHIP	0.01 uF 10% 25V	D304	8-719-941-23	DIODE DA204U	
c547	1-104-912-11	TANTAL. CHIP	3.3uF 20% 16V	D501	8-719-421-27	DIODE MA728	
C548	1-104-912-11	TANTAL. CHIP	3.3uF 20% 16V	D502	8-719-421-27	DIODE MA728	
c549	1-113-682-11	TANTAL. CHIP	33uF 20% 10V				
C550	1-113-682-11	TANTAL. CHIP	33uF 20% 10V				

MAIN

Ref. No.	Part No.	Description	Remarks	Ref. No.	Part No.	Description	Remarks
D803	8-719-066-44	DIODE CL-270HR-C-TS (REC)		L510	I-414-410-21	INDUCTOR 10uH	
0804	8-719-045-67	DIODE RB731U-T108		L511	i-414-402-11	INDUCTOR 47uH	
D806	8-719-421-27	DIODE MA728		L513	1-414-398-11	INDUCTOR 10uH	
D807	8-719-421-27	DIODE MA728		L514	I-412-034-11	INDUCTORCHIP 330uH	
D808	8-719-047-73	DIODE HRU0302A-TR		L801	I-414-402-11	INDUCTOR 47uH	
< FERRITE BEAD >				< TRANSISTOR >			
FB135	I-216-864-11	METALCHIP 0	5% 1/16W	Q101	8-729-013-37	TRANSISTOR 2SC4213-AB-TE85L	
FB235	I-216-864-11	METALCHIP 0	5% 1/16W	R201	8-729-013-37	TRANSISTOR 2SC4213-AB-TE85L	
FB301	I-414-385-11	INDUCTOR 0UH		Q301	8-729-028-91	TRANSISTOR DTA144EUA-T106	
FB302	I-216-864-11	METALCHIP 0	5% 1/16W	Q311	8-729-930-00	TRANSISTOR UMD2	
FB303	I-216-864-11	METALCHIP 0	5% 1/16W	Q313	8-729-929-80	TRANSISTOR UMB2	
FB304	I-216-864-11	METALCHIP 0	5% 1/16W	Q314	8-729-929-80	TRANSISTOR UMB2	
FB305	I-216-864-11	METALCHIP 0	5% 1/16W	Q502	8-729-422-39	TRANSISTOR XN4404	
FB350	i-216-864-11	METALCHIP 0	5% 1/16W	Q503	8-729-930-13	TRANSISTOR UMB2	
FB501	I-216-864-11	METALCHIP 0	5% 1/16W	Q504	8-729-019-25	TRANSISTOR 2SK1467-TD	
FB502	I-216-864-11	METALCHIP 0	5% 1/16W	Q505	8-729-930-00	TRANSISTOR UMD2	
FB503	I-216-864-11	METALCHIP 0	5% 1/16W	Q801	8-729-930-00	TRANSISTOR UMD2	
FB504	I-216-864-11	METALCHIP 0	5% 1/16W	Q806	8-729-031-34	TRANSISTOR 2SK2034	
FB505	I-216-864-11	METALCHIP 0	5% 1/16W	Q809	8-729-031-34	TRANSISTOR 2SK2034	
				Q810	8-729-905-35	TRANSISTOR 2SC4081-R	
< IC >				< RESISTOR >			
IC301	8-759-482-09	IC RN5RZ25BA-TL		R101	i-218-867-11	RES, CHIP 6.8K (1608)	
IC302	8-759-252-90	IC TLV2362IPW-ELM1500		R103	I-218-867-11	RES, CHIP 6.8K (1608)	
IC303	8-759-439-74	IC AK4515-VQ		R105	I-216-837-11	METALCHIP 22K 5% 1/16W	
IC305	8-759-481-66	IC DS1801E-014TE2		R107	I-218-883-11	RES, CHIP 33K (1608)	
IC306	8-759-487-19	IC PST9322UL		R108	I-218-843-11	RES, CHIP 680 (1608)	
IC501	8-752-085-60	IC CXA2523AR-T4		R119	I-216-789-11	METALCHIP 2.2 5% 1/16W	
IC503	8-752-384-47	IC CXD2652AR		R136	I-218-863-11	RES, CHIP 4.7K (1608)	
IC505	8-759-460-34	IC MPC17A36VMEL		R137	I-216-827-11	METALCHIP 3.3K 5% 1/16W	
IC506	8-759-329-43	IC MPC18A20VM		R160	I-216-857-11	METALCHIP 1M 5% 1/16W	
IC509	8-759-334-38	IC MSM51V4400-70TS-K		R161	I-218-847-11	RES, CHIP 1.0K (1608)	
IC509	8-759-349-44	IC MB81V4400C-60PFTN		R201	I-218-867-11	RES, CHIP 6.8K (1608)	
IC509	8-759-334-38	IC MSM51V4400-70TS-K		R203	I-218-867-11	RES, CHIP 6.8K (1608)	
IC510	8-759-487-20	IC PST9330UL		R205	I-216-837-11	METALCHIP 22K 5% 1/16W	
IC511	8-759-196-97	IC TC7SH32FU-TE85R		R207	I-218-883-11	RES, CHIP 33K (1608)	
IC512	8-759-271-86	IC TC7SH04FU		R208	I-218-843-11	RES, CHIP 680 (1608)	
IC702	8-759-482-07	IC MPC17A28SVMEL		R219	I-216-789-11	METALCHIP 2.2 5% 1/16W	
IC801	8-782-893-71	IC		R236	I-218-863-11	RES, CHIP 4.7K (1608)	
IC802	8-759-343-90	IC RS5RJ29261		R237	I-216-827-11	METALCHIP 3.3K 5% 1/16W	
IC803	8-759-332-25	IC XC31PNS01AMR		R260	I-216-857-11	METALCHIP 1M 5% 1/16W	
IC804	8-759-343-88	IC DS1302Z		R261	i-218-847-11	RES, CHIP 1.0K (1608)	
IC805	g-759-497-20	IC LA4800V-S-TLM		R306	I-216-797-11	METALCHIP 10 5% 1/16W	
IC807	8-759-457-68	IC AK93C45AV-L		R364	I-216-789-11	METALCHIP 2.2 5% 1/16W	
IC811	8-759-465-98	IC BU9728AKV-E2		R365	i-216-809-11	METALCHIP 100 5% 1/16W	
< JACK >				R374	I-216-845-11	METALCHIP 100K 5% 1/16W	
J301	i-779-881-21	JACK(MIC)		R380	I-216-864-11	METALCHIP 0 5% 1/16W	
J302	i-778-179-11	JACK (□) /REMOTE		R381	I-216-809-11	METALCHIP 100 5% 1/16W	
< COIL >				R382	I-216-829-11	METALCHIP 4.7K 5% 1/16W	
L303	i-414-398-11	INDUCTOR 10uH		R383	I-216-829-11	METALCHIP 4.7K 5% 1/16W	
L304	I-414-398-11	INDUCTOR 10uH		R501	i-216-835-11	METALCHIP 15K 5% 1/16W	
L501	I-414-398-11	INDUCTOR 10uH		R502	i-216-835-11	METALCHIP 15K 5% 1/16W	
L502	I-414-398-11	INDUCTOR 10uH		R503	I-216-831-11	METALCHIP 6.8K 5% 1/16W	
L504	I-414-410-21	INDUCTOR 10uH		R504	I-216-859-11	RES, CHIP 1.5M (1608)	
L505	I-412-034-11	INDUCTORCHIP 330uH		R505	I-218-446-11	METALCHIP 1 5% 1/16W	
L506	I-414-402-11	INDUCTOR 47uH		R506	I-216-811-11	METALCHIP 150 5% 1/16W	
L507	I-414-402-11	INDUCTOR 47uH		R507	I-216-833-11	METALCHIP 10K 5% 1/16W	
L508	I-414-402-11	INDUCTOR 47uH					
L509	i-414-402-11	INDUCTOR 47uH					

Ref. No.	Part No.	Description	Quantity	Unit	Remarks	Ref. No.	Part No.	Description	Quantity	Unit	Remarks
R508	1-216-817-11	METALCHIP	470	5%	1/16W	R829	1-218-899-11	RES, CHIP	150K (1608)		
R509	1-216-853-11	METALCHIP	470K	5%	1/16W	R830	1-216-851-11	METALCHIP	330K	5%	1/16W
R510	1-216-825-11	METALCHIP	2.2K	5%	1/16W	R831	1-216-857-11	METALCHIP	1M	5%	1/16W
R511	1-216-825-11	METALCHIP	2.2K	5%	1/16W	R833	1-216-857-11	METALCHIP	1M	5%	1/16W
R512	1-216-825-11	METALCHIP	2.2K	5%	1/16W	R834	1-216-857-11	METALCHIP	1M	5%	1/16W
R513	1-216-843-11	METALCHIP	68K	5%	1/16W	R836	1-218-871-11	RES, CHIP	10K (1608)		
R514	1-216-864-11	METAL CHIP	0	5%	1/16W	R837	1-216-851-11	METALCHIP	330K	5%	1/16W
R515	1-216-864-11	METALCHIP	0	5%	1/16W	R838	1-218-887-11	RES, CHIP	47K (1608)		
R516	1-216-821-11	METALCHIP	1K	5%	1/16W	R842	1-216-864-11	METALCHIP	0	5%	1/16W
R517	1-216-803-11	METALCHIP	33	5%	1/16W	R853	1-216-809-11	METALCHIP	100	5%	1/16W
R518	1-216-864-11	METALCHIP	0	5%	1/16W	R856	1-216-821-11	METALCHIP	1K	5%	1/16W
R520	1-216-841-11	METALCHIP	47K	5%	1/16W	R857	1-216-833-11	METALCHIP	10K	5%	1/16W
R524	1-216-833-11	METALCHIP	10K	5%	1/16W	R861	1-216-857-11	METALCHIP	1M	5%	1/16W
R525	1-216-845-11	METALCHIP	100K	5%	1/16W	R865	1-216-809-11	METALCHIP	100	5%	1/16W
R526	1-216-853-11	METALCHIP	470K	5%	1/16W	R867	1-216-829-11	METALCHIP	4.7K	5%	1/16W
R528	1-216-821-11	METALCHIP	1K	5%	1/16W	R868	1-216-845-11	METALCHIP	100K	5%	1/16W
R529	1-216-821-11	METALCHIP	1K	5%	1/16W	R873	1-216-829-11	METALCHIP	4.7K	5%	1/16W
R530	1-216-827-11	METALCHIP	3.3K	5%	1/16W	R877	1-216-845-11	METALCHIP	100K	5%	1/16W
R531	1-216-845-11	METALCHIP	100K	5%	1/16W	R878	1-216-833-11	METALCHIP	10K	5%	1/16W
R536	1-218-891-11	RES, CHIP	68K (1608)			R881	1-216-853-11	METALCHIP	470K	5%	1/16W
R537	1-218-899-11	RES, CHIP	150K (1608)			R882	1-216-845-11	METALCHIP	100K	5%	1/16W
R538	1-218-895-11	RES, CHIP	100K (1608)			R883	1-216-845-11	METALCHIP	100K	5%	1/16W
R539	1-216-833-11	METAL CHIP	10K	5%	1/16W	R884	1-216-845-11	METALCHIP	100K	5%	1/16W
R540	1-216-857-11	METALCHIP	1M	5%	1/16W	R885	1-216-864-11	METALCHIP	0	5%	1/16W
R541	1-216-843-11	METALCHIP	68K	5%	1/16W	R886	1-218-867-11	RES, CHIP	6.8K (1608)		
R542	1-218-903-11	RES, CHIP	220K (1608)			R887	1-218-871-11	RES, CHIP	10K (1608)		
R543	1-218-887-11	RES, CHIP	47K (1608)			R888	1-218-875-11	RES, CHIP	15K (1608)		
R545	1-216-845-11	METALCHIP	100K	5%	1/16W	R889	1-218-883-11	RES, CHIP	33K (1608)		
R546	1-216-841-11	METALCHIP	47K	5%	1/16W	R890	1-218-887-11	RES, CHIP	47K (1608)		
R549	1-216-845-11	METALCHIP	100K	5%	1/16W	R891	1-218-899-11	RES, CHIP	150K (1608)		
R554	1-216-821-11	METALCHIP	1K	5%	1/16W	R893	1-216-821-11	METALCHIP	1K	5%	1/16W
R555	1-216-864-11	METALCHIP	0	5%	1/16W	R894	1-216-821-11	METALCHIP	1K	5%	1/16W
R559	1-216-811-11	METALCHIP	150	5%	1/16W	R899	1-216-857-11	METAL CHIP	1M	5%	1/16W
R562	1-218-887-11	RES, CHIP	47K (1608)								
R563	1-216-833-11	METALCHIP	10K	5%	1/16W			< CONPOSITION CIRCUIT BLOCK >			
R564	1-216-843-11	METALCHIP	68K	5%	1/16W	RB301	1-233-971-11	RES, NETWORK (CHIP TYPE) 47K			
R565	1-216-845-11	METALCHIP	100K	5%	1/16W	RB802	1-233-976-11	RES, NETWORK (CHIP TYPE) 330K			
R566	1-216-841-11	METALCHIP	47K	5%	1/16W	RB803	1-233-965-11	RES, NETWORK (CHIP TYPE) 4.7K			
R571	1-216-864-11	METALCHIP	0	5%	1/16W	RB804	1-233-979-11	RES, NETWORK (CHIP TYPE) 1M			
R572	1-216-864-11	METALCHIP	0	5%	1/16W	RB805	1-233-976-11	RES, NETWORK (CHIP TYPE) 330K			
R576	1-216-864-1	METALCHIP	0	5%	1/16W	RB807	1-233-979-11	RES, NETWORK (CHIP TYPE) 1M			
R581	1-216-841-1	METALCHIP	47K	5%	1/16W	RB808	1-233-973-11	RES, NETWORK (CHIP TYPE) 100K			
R582	1-216-841-1	METALCHIP	47K	5%	1/16W			< SWITCH >			
R583	1-216-864-1	METALCHIP	0	5%	1/16W	S301	1-762-078-11	SWITCH, SLIDE (MIC SENS)			
R584	1-216-864-1	METALCHIP	0	5%	1/16W	S808	1-771-091-21	SWITCH, PUSH (1 KEY) (REC)			
R585	1-216-857-1	METALCHIP	1M	5%	1/16W	S809	1-572-921-11	SWITCH, KEY BOARD (CLOCKSET)			
R710	1-216-819-11	METAL CHIP	680	5%	1/16W	S810	1-762-079-11	SWITCH, SLIDE (DIGITAL MEGABASS)			
R802	1-216-851-11	METALCHIP	330K	5%	1/16W	S811	1-762-078-11	SWITCH, SLIDE (AVLS)			
R803	1-216-857-11	METALCHIP	1M	5%	1/16W						
R806	1-216-857-11	METAL CHIP	1M	5%	1/16W	S817	1-762-805-41	SWITCH, PUSH (1 KEY) (OPEN1)			
R816	1-216-851-11	METALCHIP	330K	5%	1/16W	S818	1-762-078-11	SWITCH, SLIDE (HOLD)			
R817	1-216-851-11	METALCHIP	330K	5%	1/16W	S823	1-572-467-41	SWITCH, PUSH (1 KEY) (OPEN2)			
R818	1-216-857-11	METAL CHIP	1M	5%	1/16W						
R820	1-218-887-11	RES, CHIP	47K (1608)								
R821	1-218-887-11	RES, CHIP	47K (1608)								
R822	1-218-887-11	RES, CHIP	47K (1608)								
R824	1-218-887-11	RES, CHIP	47K (1608)								
R825	1-216-851-11	METALCHIP	330K	5%	1/16W						
R826	1-216-864-11	METALCHIP	0	5%	1/16W						
R828	1-218-911-11	RES, CHIP	470K (1608)								

MAIN**MECHA SW****POWER****RADIAL**

Ref. No.	Part No.	Description	Remarks
		< VIBRATOR >	
x501	1-767-722-21	VIBRATOR, CRYSTAL 22.5MHz	
X801	1-760-174-31	VIBRATOR, CERAMIC 12MHz	
X802	1-579-886-21	VIBRATOR, CRYSTAL 32KHz	

*	1-667-232-11	MECHASWBOARD	
		< CONNECTOR >	
CN656	1-778-367-11	CONNECTOR HOSING 6P	
		< SWITCH >	
S655	1-692-163-11	MICRO SWITCH(X LOCK)	
S656	1-771-218-11	MICRO SWITCH (XINT)	

	A-3293-770-A	POWER BOARD	
		< CAPACITOR >	
C801	1-117-720-11	CERAMCCHIP 4.7uF	10V
C802	1-107-826-11	CERAMC CHIP 0.1uF	1 0% 16V
C803	1-162-970-11	CERAMC CHIP 0.01uF	10% 25V
C804	1-162-964-11	CERAMC CHIP 0.001uF	10% 50v
C805	1-162-927-11	CERAMCCHIP 100PF	5% 50v
C807	1-162-965-11	CERAMCCHIP 0.0015uF	10% 50v
C809	1-115-169-11	TANTALUM 10uF	20% 6.3V
C810	1-117-720-11	CERAMCCHIP 4.7uF	10V
C832	1-162-970-11	CERAMC CHIP 0.01uF	10% 25V
C837	1-164-156-11	CERAMC CHIP 0.1uF	25V
C840	1-126-923-11	ELECT 220uF	20% 10V
C841	1-109-982-11	CERAMC CHIP 1uF	10% 10V
C842	1-117-919-11	TANTAL. CHIP 10uF	20% 6.3V
C843	1-117-919-11	TANTAL. CHIP 10uF	20% 6.3V
C860	1-164-227-11	CERAMC CHIP 0.022uF	10% 25V
		< CONNECTOR >	
CN805	1-573-929-11	CONNECTOR, FFC/FPC (ZIF) 20P	
		< DIODE >	
D801	8-719-988-07	DIODE RB400D	
D810	8-719-988-62	DIODE 1SS355	
		< IC >	
IC806	8-759-331-73	IC MB3800PNF	
IC808	8-729-039-08	IC TRANSISTOR SI6946DQ-T1	
		< COIL >	
L512	1-416-436-11	COIL, CHOKE 68uH	
L802	1-411-803-21	COIL, CHOKE 33uH	
L804	1-414-410-21	INDUCTOR 10uH	
L805	1-414-410-21	INDUCTOR 10uH	

Ref. No.	Part No.	Description	Remarks
		< TRANSISTOR >	
Q803	8-729-807-52	TRANSISTOR 2SD1623-T	
Q804	8-729-822-62	TRANSISTOR 2SB1302-T	
Q805	8-729-905-35	TRANSISTOR 2SC4081-R	
0901	s-729-029-14	TRANSISTOR DTC144EUA-T106	
		< RESISTOR >	
R801	I-216-789-11	METALCHIP 2.2	5% 1/16W
R808	I-216-817-11	METALCHIP 470	5% 1/16W
R809	I-216-827-11	METALCHIP 3.3K	5% 1/16W
R810	I-216-827-11	METALCHIP 3.3K	5% 1/16W
R811	I-216-821-11	METALCHIP 1K	5% 1/16W
R812	I-216-825-11	METALCHIP 2.2K	5% 1/16W
R814	I-218-883-11	RES, CHIP 33K (1608)	
R815	I-218-863-11	RES, CHIP 4.7K (1608)	
R875	1-216-801-11	METALCHIP 22	5% 1/16W
R879	I-216-864-11	METALCHIP 0	5% 1/16W
R880	I-216-837-11	METALCHIP 22K	5% 1/16W
R901	I-216-823-11	METALCHIP 1.5K	5% 1/16W
		< VARIABLE RESISTOR >	
RV801	1-223-994-21	RES, CARBON ADJ VAR 4.7K	

	A-3306-961-A	RADIAL BOARD, COMPLETE	
		< CAPACITOR >	
C103	I-124-584-00	ELECT 100uF	20% 10V
C104	I-162-917-11	CERAMC CHIP 15PF	5% 50v
C105	1-162-970-11	CERAMC CHIP 0.01uF	10% 25V
C107	i-162-970-11	CERAMCCHIP 0.01uF	10% 25v
C108	I-162-964-11	CERAMC CHIP 0.001uF	10% 50V
C109	1-162-917-11	CERAMC CHIP 15PF	5% 50v
C111	I-124-257-00	ELECT 2.2uF	20% 50V
C112	1-162-970-11	CERAMCCHIP 0.01uF	10% 25V
C114	1-124-589-11	ELECT 47uF	20% 16V
C115	I-126-157-11	ELECT 10uF	20% 16V
C116	1-164-505-11	CERAMC CHIP 2.2uF	16V
C117	1-126-935-11	ELECT 470uF	20% 6.3V
C118	1-162-917-11	CERAMC CHIP 15PF	5% 50v
C119	1-126-157-11	ELECT 10uF	20% 16V
C124	1-126-157-11	ELECT 10uF	20% 10V
C125	i-126-157-11	ELECT 10uF	20% 10V
C127	1-162-927-11	CERAMC CHIP 100PF	5% 50V
C128	1-162-917-11	CERAMCCHIP 15PF	5% 50v
C129	1-162-970-11	CERAMC CHIP 0.01uF	10% 25V
C130	1-162-927-11	CERAMCCHIP 100PF	5% 50v

RADIAL

Ref. No.	Part No.	Description	Remarks	Ref. No.	Part No.	Description	Remarks
C131	i-126-157-11	ELECT	10uF 20% 16V	C322	1-107-826-11	CERAMC CHIP	0.1uF 10% 16V
C132	1-164-505-11	CERAMC CHIP	2.2uF 16V	C323	1-107-826-11	CERAMCCHIP	0.1uF 10% 16V
C133	1-109-982-11	CERAMC CHIP	1uF 10% 10V	C324	I-124-257-00	ELECT	2.2uF 20% 5ov
C134	i-109-982-11	CERAMC CHIP	1uF 10% i ov	c330	1-124-229-00	ELECT	33uF 20% i ov
C135	i-162-921-11	CERAMC CHIP	33PF 5% 5ov	c333	1-162-964-11	CERAMC CHIP	0.001 uF 10% 5ov
C136	1-162-921-11	CERAMC CHIP	33PF 5% 5ov	c334	1-162-970-11	CERAMCCHIP	0.01uF 10% 25V
C141	1-109-982-11	CERAMCCHIP	1uF 10% i ov	c390	1-107-823-11	CERAMC CHIP	0.47uF 10% 16V
C180	1-162-927-11	CERAMC CHIP	100PF 5% 5ov	C901	I-124-234-00	ELECT	22uF 20% 16V
C181	I-162-927-11	CERAMC CHIP	100PF 5% 5ov	c902	1-124-234-00	ELECT	22uF 20% 16V
C182	i-162-927-11	CERAMC CHIP	100PF 5% 5ov	c903	i-107-826-11	CERAMC CHIP	0.1uF 10% 16V
C203	1-124-584-00	ELECT	100uF 20% 10V	c904	1-165-112-11	CERAMCCHIP	0.33uF 10% 16V
C204	1-162-917-11	CERAMC CHIP	15PF 5% 5ov	C905	1-126-160-11	ELECT	1uF 20% 5ov
C205	1-162-970-11	CERAMC CHIP	0.01uF 10% 25V	C906	1-126-160-11	ELECT	1uF 20% 5ov
C207	1-162-970-11	CERAMC CHIP	0.01uF 10% 25V	C908	1-127-531-11	CAPACITOR	33uF 20% i ov
C208	1-162-964-11	CERAMC CHIP	0.001uF 10% 5ov	C909	1-124-257-00	ELECT	2.2uF 20% 5ov
C209	1-162-917-11	CERAMC CHIP	15PF 5% 5ov	C910	1-162-970-11	CERAMCCHIP	0.01uF 10% 25v
c211	1-124-257-00	ELECT	2.2uF 20% 5ov	C911	I-124-584-00	ELECT	100uF 20% i ov
C214	1-124-589-11	ELECT	47uF 20% 16V	C912	1-109-982-11	CERAMC CHIP	1uF 10% i ov
C215	1-126-157-11	ELECT	10uF 20% 16V	C913	1-162-957-11	CERAMCCHIP	220PF 5% 5ov
C216	i-164-505-11	CERAMC CHIP	2.2uF 16V	C914	1-162-970-11	CERAMC CHIP	0.01uF 10% 25V
C217	1-126-935-11	ELECT	470uF 20% 6.3V	C915	i-126-157-11	ELECT	10uF 20% 16V
C218	1-162-917-11	CERAMCCHIP	15PF 5% 5ov	C916	1-107-826-11	CERAMC CHIP	0.1uF 10% 16V
C219	i-126-157-11	ELECT	10uF 20% 16V	C917	1-107-826-11	CERAMC CHIP	0.1uF 10% 16V
C224	1-126-157-11	ELECT	10uF 20% i ov	C918	i-162-957-11	CERAMC CHIP	220PF 5% 5ov
C225	1-126-157-11	ELECT	10uF 20% i ov	C920	i-162-968-11	CERAMCCHIP	0.0047uF 10% 5ov
C227	1-162-927-11	CERAMC CHIP	100PF 5% 5ov	c921	1-107-823-11	CERAMC CHIP	0.47uF 10% 16V
C228	1-162-917-11	CERAMC CHIP	15PF 5% 5ov	c922	1-109-982-11	CERAMCCHIP	1uF 10% i ov
c229	i-162-970-11	CERAMC CHIP	0.01 uF 10% 25V	c923	I-126-942-61	ELECT	1000uF 20% 25V
C230	1-162-927-11	CERAMC CHIP	100PF 5% 5ov	c924	1-127-509-00	CAPACITOR	3.3uF 20% 25V
C231	1-126-157-11	ELECT	10uF 20% 16V	c925	i-164-299-11	CERAMC CHIP	0.22uF 10% 25V
C232	1-164-505-11	CERAMC CHIP	2.2uF 16V	C926	i-107-826-11	CERAMC CHIP	0.1uF 10% 16V
C233	1-109-982-11	CERAMC CHIP	1uF 10% i ov	c929	i-162-962-11	CERAMC CHIP	470PF 10% 5ov
C234	1-109-982-11	CERAMCCHIP	1uF 10% 10V	c930	1-162-962-11	CERAMC CHIP	470PF 10% 5ov
C235	1-162-921-11	CERAMC CHIP	33PF 5% 5ov	c931	1-162-962-11	CERAMCCHIP	470PF 10% 5ov
C236	1-162-921-11	CERAMC CHIP	33PF 5% 5ov	c932	I-162-962-11	CERAMC CHIP	470PF 10% 5ov
C237	1-162-970-11	CERAMC CHIP	0.01uF 10% 25V	c933	1-126-157-11	ELECT	10uF 20% 16V
C238	1-162-970-11	CERAMC CHIP	0.01uF 10% 25V	c934	1-107-826-11	CERAMC CHIP	0.1uF 10% 16V
c239	1-162-970-11	CERAMC CHIP	0.01uF 10% 25V	c935	1-126-157-11	ELECT	10uF 20% 16V
C240	1-162-970-11	CERAMC CHIP	0.01uF 10% 25V	C936	1-107-826-11	CERAMC CHIP	0.1uF 10% 16V
C241	1-109-982-11	CERAMCCHIP	1uF 10% 10V	c937	1-109-982-11	CERAMC CHIP	1uF 10% i ov
C280	I-162-927-11	CERAMCCHIP	100PF 5% 5ov	C938	I-124-234-00	ELECT	22uF 20% 16V
C281	1-162-927-11	CERAMC CHIP	100PF 5% 5ov	c939	i-126-154-11	ELECT	47uF 20% 6.3V
C282	1-162-927-11	CERAMCCHIP	100PF 5% 5ov	C941	1-162-970-11	CERAMC CHIP	0.01uF 10% 25V
C301	1-107-826-11	CERAMC CHIP	0.1uF 10% 16V	c942	i-126-157-11	ELECT	10uF 20% 16V
C302	i-107-826-11	CERAMC CHIP	0.1uF 10% 16V	G943	1-109-982-11	CERAMC CHIP	1uF 10% 10V
C304	1-126-157-11	ELECT	10uF 20% 16V	c944	I-107-826-11	CERAMC CHIP	0.1uF 10% 16V
G305	1-124-779-00	ELECTCHIP	10uF 20% 16V	C945	I-107-826-11	CERAMC CHIP	0.1uF 10% 16V
C306	1-124-779-00	ELECTCHIP	10uF 20% 16V	C946	i-107-826-11	CERAMC CHIP	0.1uF 10% 16V
c307	1-126-157-11	ELECT	10uF 20% 16V	C947	i-107-826-11	CERAMC CHIP	0.1uF 10% 16V
c309	1-107-826-11	CERAMC CHIP	0.1uF 10% 16V	C948	1-107-826-11	CERAMC CHIP	0.1uF 10% 16V
C310	1-126-935-11	ELECT	470uF 20% 6.3V	C949	i-109-982-11	CERAMC CHIP	1uF 10% 10V
c311	1-124-257-00	ELECT	2.2uF 20% 5ov	C950	i-107-826-11	CERAMCCHIP	0.1uF 10% 16V
C312	i-162-970-11	CERAMC CHIP	0.01 uF 10% 25V	C951	1-109-982-11	CERAMCCHIP	1uF 10% 10V
c313	i-126-157-11	ELECT	10uF 20% 16V	C952	1-165-176-11	CERAMC CHIP	0.047uF 10% 16V
C314	1-107-826-11	CERAMCCHIP	0.1uF 10% 16V	c953	I-124-239-00	ELECT	6.9uF 20% 10V
C315	1-107-826-11	CERAMCCHIP	0.1uF 10% 16V	G954	i-128-057-11	ELECT	330uF 20% 6.3V
C316	1-107-823-11	CERAMC CHIP	0.47uF 10% 16V				
c319	1-126-157-11	ELECT	10uF 20% 16V				
C320	1-164-505-11	CERAMC CHIP	2.2uF 16V				
C321	1-165-112-11	CERAMCCHIP	0.33uF 16V				

RADIAL

Ref. No.	Part No.	Description	Remarks	Ref.	Part No.	Description	Remarks
c955	1-107-826-11	CERAMIC CHIP 0.1uF	10% 16V	IC905	8-759-521-35	IC TL5001CD	
C958	1-126-157-11	ELECT 10uF	20% 16V	IC906	8-759-486-73	IC XC62FP3302PR	
c959	1-162-964-11	CERAMIC CHIP 0.001uF	10% 5ov	IC907	8-752-893-86	IC CXP84632-018Q	
C960	1-162-964-11	CERAMIC CHIP 0.001uF	10% 5ov	IC908	e-759-343-90	IC RS5RJ29261	
C961	1-162-962-11	CERAMIC CHIP 470PF	10% 5ov	IC909	8-719-066-43	IC DIODE GP1U28Y	
C963	1-124-584-00	ELECT 100uF	20% 10V	IC910	8-759-327-80	IC S-80745SN-D9-T1	
C964	1-124-584-00	ELECT 100uF	20% 10V			< JACK >	
C965	1-126-205-11	ELECTCHIP 47uF	20% 6.3V	J301	1-568-267-21	JACK (ACTIVE SP OUT)	
C966	1-107-826-11	CERAMIC CHIP 0.1uF	10% 16V	J302	1-750-735-11	JACK(LARGETYPE) (HEADPHONES)	
		< CONNECTOR >		J303	1-778-355-11	JACK, PIN(LINE IN (ANALOG))	
* CN951	1-691-798-11	HOUSING, CONNECTOR 22P		J304	1-778-355-11	JACK, PIN (LINE OUT(ANALOG))	
* CN952	1-784-005-21	HOUSING,CONNECTOR (FPC/FFC) 16P		J901	1-778-380-11	JACK,DC (POLARITY UNIFIED TYPE)	(DC IN 9V)
CN953	1-778-365-11	HOUSING, CONNECTOR (FPC/FFC) 6P				< COIL >	
* CN954	1-784-006-21	CONNECTOR, FPC (ZIF) 30P		L301	1-414-398-11	INDUCTOR 10uH	
		< DIODE >		L302	1-414-398-11	INDUCTOR 10uH	
D301	8-719-941-86	DIODE DAN202U		L303	1-414-398-11	INDUCTOR 10uH	
D310	8-719-421-27	DIODE MA728		L901	1-416-416-11	COIL, CHOKE 33uH	
0320	8-719-914-42	DIODE DA204K		L902	1-416-416-11	COIL, CHOKE 33uH	
D901	8-719-066-16	DIODE RB491D-T146		L903	1-410-626-11	COIL, CHOKE 47uH	
0902	8-719-048-98	DIODE RB160L-40TE25		L904	1-416-415-11	COIL, CHOKE 15uH	
D903	8-719-048-98	DIODE RB160L-40TE25		L905	1-414-398-11	INDUCTOR 10uH	
D904	8-719-976-06	DIODE BR53345 (CHARGE)		L906	1-414-402-11	INDUCTOR 47uH	
D905	8-719-048-98	DIODE RB160L-40TE25		L907	1-414-398-11	INDUCTOR 10uH	
0906	8-719-938-75	DIODE SB05-05CP				< LINE FILTER >	
D907	8-719-938-75	DIODE SB05-05CP		△LF902	1-239-581-21	FILTER, EMI	
D908	8-719-047-73	DIODE HRU0302A-TR				<TRANSISTOR>	
D909	8-719-048-98	DIODE RB160L-40TE25		Q101	8-729-013-37	TRANSISTOR 2SC4213-AB-TE85L	
0910	8-719-991-75	DIODE RB425D		Q102	8-729-013-37	TRANSISTOR 2SC4213-AB-TE85L	
		< EL LUMINOUS ELEMENT >		Q103	8-729-013-37	TRANSISTOR 2SC4213-AB-TE85L	
EL901	1-431-541-11	TRANSFORMER, EL OSCILLATION		Q104	8-729-013-37	TRANSISTOR 2SC4213-AB-TE85L	
		< IC >		Q201	8-729-013-37	TRANSISTOR 2SC4213-AB-TE85L	
IC101	8-759-357-68	IC NJM2115M-TE2		Q202	8-729-013-37	TRANSISTOR 2SC4213-AB-TE85L	
IC130	8-759-358-47	IC NJM2115V (TE2)		Q203	8-729-013-37	TRANSISTOR 2SC4213-AB-TE85L	
IC131	8-759-358-47	IC NJM2115V (TE2)		Q204	8-729-013-37	TRANSISTOR 2SC4213-AB-TE85L	
IC201	8-759-357-68	IC NJM2115M-TE2		Q301	8-729-029-14	TRANSISTOR DTC144EUA-T106	
IC230	8-759-358-47	IC NJM2115V (TE2)		Q302	8-729-904-60	TRANSISTOR DTB113ZK	
IC231	8-759-358-47	IC NJM2115V (TE2)		Q303	8-729-904-60	TRANSISTOR DTB113ZK	
IC301	8-759-471-38	IC AK4520A-VF-E2		Q304	8-729-029-14	TRANSISTOR DTC144EUA-T106	
IC302	8-759-357-68	IC NJM2115M-TE2		Q901	8-729-042-81	TRANSISTOR FZT788BTC	
IC304	8-759-481-66	IC DS1801E-014TE2		Q902	8-729-927-74	TRANSISTOR UMG2	
IC305	8-759-369-74	IC NJM4556AM-TE2		Q903	8-729-230-60	TRANSISTOR 2SA1586-YG	
IC306	8-759-462-30	IC TK11225BMCL		Q904	8-729-907-00	TRANSISTOR DTC114EU	
IC307	8-759-269-65	IC SN74HCT245ANS-E20		Q905	8-729-904-60	TRANSISTOR DTB113ZK	
IC308	8-749-921-11	IC GP1F32R (DIGITAL IN (OPT1))		Q906	8-729-907-00	TRANSISTOR DTC114EU	
IC309	8-749-921-11	IC GP1F32R (DIGITAL IN (OPT2))		Q907	8-729-805-25	TRANSISTOR 2SB1121	
IC310	8-749-921-12	IC GP1F32T (DIGITAL OUT (OPTICAL))		Q908	8-729-120-28	TRANSISTOR 2SC1623-L5L6	
IC311	8-759-926-18	IC SN74HC157ANS		Q909	8-729-907-00	TRANSISTOR DTC114EU	
IC313	8-759-481-73	IC SN74LVC125APW-E20		Q910	8-729-805-25	TRANSISTOR 2SB1121	
IC314	8-759-460-32	IC XC62FP2902PR		Q911	8-729-930-04	TRANSISTOR UMD3	
IC315	8-759-357-68	IC NJM2115M-TE2		Q912	8-729-904-60	TRANSISTOR DTB113ZK	
IC316	8-759-327-80	IC S-80745SN-D9-T1		Q913	8-729-019-14	TRANSISTOR 2SC3739-T1B13B14	
IC317	8-759-369-74	IC NJM4556AM-TE2					
IC330	8-759-358-47	IC NJM2115V (TE2)					
IC901	8-729-039-07	IC TRANSISTOR SI6943DQ-T1					
IC902	8-759-482-08	IC XC62EP4201MR					
IC904	8-759-521-35	IC TL5001CD					

The components identified by mark Δ are critical for safety.
Replace only with part number specified.

RADIAL

Ref. No.	Part No.	Description	Remarks	Ref. No.	Part No.	Description	Remarks
Q914	8-729-930-04	TRANSISTOR UMD3		R209	1-218-863-11 RES, CHIP	4.7K (1608)	
Q915	8-729-930-04	TRANSISTOR UMD3		R210	1-216-817-11 METALCHIP	470 5%	1/16W
Q916	8-729-907-00	TRANSISTOR DTC114EU		R211	1-216-817-11 METALCHIP	470 5%	1/16W
Q917	8-729-019-14	TRANSISTOR 2SC3739-T1B13B14		R212	1-218-879-11 RES, CHIP	22K (1608)	
Q918	8-729-927-74	TRANSISTOR UMG2		R213	1-218-871-11 RES, CHIP	10K (1608)	
Q919	8-729-927-74	TRANSISTOR UMG2		R214	1-218-855-11 RES, CHIP	2.2K (1608)	
Q920	8-729-029-14	TRANSISTOR DTC144EUA-T106		R215	1-218-879-11 RES, CHIP	22K (1608)	
Q921	8-729-013-37	TRANSISTOR 2SC4213-AB-TE85L		R216	1-216-821-11 METALCHIP	1K 5%	1/16W
Q924	8-729-015-60	TRANSISTOR 2SJ316		R217	1-218-891-11 RES, CHIP	68K (1608)	
		< RESISTOR >		R219	1-218-887-11 RES, CHIP	47K (1608)	
R102	1-218-887-11	RES, CHIP	47K (1608)	R220	1-218-891-11	RES, CHIP	68K (1608)
R103	1-218-863-11	RES, CHIP	4.7K (1608)	R221	1-216-005-00	METALCHIP	15 5% 1/10W
R104	1-218-863-11	RES, CHIP	4.7K (1608)	R222	1-216-821-11	METALCHIP	1K 5% 1/16W
R105	1-218-863-11	RES, CHIP	4.7K (1608)	R223	1-216-817-11	METALCHIP	470 5% 1/16W
R106	1-218-863-11	RES, CHIP	4.7K (1608)	R226	1-216-817-11	METALCHIP	470 5% 1/16W
R108	1-218-863-11	RES, CHIP	4.7K (1608)	R227	1-216-821-11	METALCHIP	1K 5% 1/16W
R109	1-218-863-11	RES, CHIP	4.7K (1608)	R228	1-216-845-11	METALCHIP	100K 5% 1/16W
R110	1-216-817-11	METALCHIP	470 5% 1/16W	R230	1-218-863-11	RES, CHIP	4.7K (1608)
R111	1-216-817-11	METALCHIP	470 5% 1/16W	R231	1-218-879-11	RES, CHIP	22K (1608)
R112	1-218-879-11	RES, CHIP	22K (1608)	R233	1-216-158-00	RES, CHIP	22 (3216)
R113	1-218-871-11	RES, CHIP	10K (1608)	R234	1-216-857-11	METALCHIP	1M 5% 1/16W
R114	1-218-855-11	RES, CHIP	2.2K (1608)	R235	1-216-821-11	METALCHIP	1K 5% 1/16W
R115	1-218-879-11	RES, CHIP	22K (1608)	R236	1-218-871-11	RES, CHIP	10K (1608)
R116	1-216-821-11	METALCHIP	1K 5% 1/16W	R237	1-218-871-11	RES, CHIP	10K (1608)
R117	1-218-891-11	RES, CHIP	68K (1608)	R238	1-218-871-11	RES, CHIP	10K (1608)
R119	1-218-887-11	RES, CHIP	47K (1608)	R239	1-218-871-11	RES, CHIP	10K (1608)
R120	1-218-891-11	RES, CHIP	68K (1608)	R240	1-218-871-11	RES, CHIP	10K (1608)
R121	1-216-005-00	METALCHIP	15 5% 1/10W	R241	1-218-871-11	RES, CHIP	10K (1608)
R122	1-216-821-11	METALCHIP	1K 5% 1/16W	R242	1-218-827-11	RES, CHIP	150 (1608)
R123	1-216-817-11	METALCHIP	470 5% 1/16W	R243	1-218-871-11	RES, CHIP	10K (1608)
R126	1-216-817-11	METALCHIP	470 5% 1/16W	R244	1-218-871-11	RES, CHIP	10K (1608)
R127	1-216-821-11	METALCHIP	1K 5% 1/16W	R245	1-218-871-11	RES, CHIP	10K (1608)
R128	1-216-845-11	METALCHIP	100K 5% 1/16W	R246	1-218-827-11	RES, CHIP	150 (1608)
R130	1-218-863-11	RES, CHIP	4.7K (1608)	R247	1-218-871-11	RES, CHIP	10K (1608)
R131	1-218-879-11	RES, CHIP	22K (1608)	R248	1-218-895-11	RES, CHIP	100K (1608)
R133	1-216-158-00	RES, CHIP	22 (3216)	R249	1-216-845-11	METALCHIP	100K 5% 1/16W
R134	1-216-857-11	METALCHIP	1M 5% 1/16W	R251	1-218-867-11	RES, CHIP	6.8K (1608)
R135	1-216-821-11	METALCHIP	1K 5% 1/16W	R252	1-218-855-11	RES, CHIP	2.2K (1608)
R136	1-218-871-11	RES, CHIP	10K (1608)	R301	1-216-864-11	METALCHIP	0 5% 1/16W
R137	1-218-871-11	RES, CHIP	10K (1608)	R307	1-216-813-11	METALCHIP	220 5% 1/16W
R138	1-218-871-11	RES, CHIP	10K (1608)	R308	1-216-864-11	METALCHIP	0 5% 1/16W
R139	1-218-871-11	RES, CHIP	10K (1608)	R309	1-216-864-11	METALCHIP	0 5% 1/16W
R140	1-218-871-11	RES, CHIP	10K (1608)	R310	1-216-813-11	METALCHIP	220 5% 1/16W
R141	1-218-871-11	RES, CHIP	10K (1608)	R311	1-216-813-11	METALCHIP	220 5% 1/16W
R142	1-218-827-11	RES, CHIP	150 (1608)	R312	1-216-813-11	METALCHIP	220 5% 1/16W
R143	1-218-871-11	RES, CHIP	10K (1608)	R313	1-216-864-11	METALCHIP	0 5% 1/16W
R144	1-218-871-11	RES, CHIP	10K (1608)	R314	1-216-864-11	METALCHIP	0 5% 1/16W
R145	1-218-871-11	RES, CHIP	10K (1608)	R315	1-216-864-11	METALCHIP	0 5% 1/16W
R146	1-218-827-11	RES, CHIP	150 (1608)	R316	1-216-864-11	METALCHIP	0 5% 1/16W
R147	1-218-871-11	RES, CHIP	10K (1608)	R317	1-216-864-11	METALCHIP	0 5% 1/16W
R148	1-218-895-11	RES, CHIP	100K (1608)	R318	1-216-864-11	METAL CHIP	0 5% 1/16W
R149	1-216-845-11	METALCHIP	100K 5% 1/16W	R320	1-216-837-11	METAL CHIP	22K 5% 1/16W
R151	1-218-867-11	RES, CHIP	6.8K (1608)	R321	1-216-864-11	METAL CHIP	0 5% 1/16W
R152	1-218-855-11	RES, CHIP	2.2K (1608)	R330	1-216-833-11	METALCHIP	10K 5% 1/16W
R202	1-218-887-11	RES, CHIP	47K (1608)	R331	1-216-864-11	METALCHIP	0 5% 1/16W
R203	1-218-863-11	RES, CHIP	4.7K (1608)	R332	1-216-864-11	METALCHIP	0 5% 1/16W
R204	1-218-863-11	RES, CHIP	4.7K (1608)	R334	1-216-864-11	METALCHIP	0 5% 1/16W
R205	1-218-863-11	RES, CHIP	4.7K (1608)	R350	1-216-857-11	METAL CHIP	1M 5% 1/16W
R206	1-218-863-11	RES, CHIP	4.7K (1608)	R901	1-216-851-11	METALCHIP	330K 5% 1/16W
R208	1-218-863-11	RES, CHIP	4.7K (1608)	R902	1-216-851-11	METALCHIP	330K 5% 1/16W

RADIAL REC

Ref. No.	Part No.	Description	Remarks	Mfg. No.	Part No.	Description	Remarks
R903	1-249-476-11	CARBON	1.5 5%	1/2W	F	R981	1-216-134-00 METALCHIP 2.2 5% 1/8W
R904	1-216-841-11	METALCHIP	47K 5%	1/16W		R982	1-216-845-11 METALCHIP 100K 5% 1/16W
R905	1-216-809-11	METALCHIP	100 5%	1/16W		R983	1-216-845-11 METALCHIP 100K 5% 1/16W
R906	1-218-895-11	RES, CHIP	100K (1608)			R984	1-216-864-11 METALCHIP 0 5% 1/16W
R907	1-218-895-11	RES, CHIP	100K(1608)			R986	1-216-851-11 METALCHIP 330K 5% 1/16W
R910	1-216-821-11	METALCHIP	1K 5%	1/16W		R987	1-216-851-11 METALCHIP 330K 5% 1/16W
R911	1-216-853-11	METALCHIP	470K 5%	1/16W		R988	1-216-851-11 METALCHIP 330K 5% 1/16W
R912	1-216-845-11	METALCHIP	100K 5%	1/16W		R989	1-216-851-11 METALCHIP 330K 5% 1/16W
R913	1-216-853-11	METALCHIP	470K 5%	1/16W		R990	1-216-864-11 METALCHIP 0 5% 1/16W
R914	1-216-853-11	METALCHIP	470K 5%	1/16W		R991	1-216-821-11 METALCHIP 1K 5% 1/16W
R915	1-218-883-11	RES, CHIP	33K (1608)			R993	1-216-833-11 METALCHIP 10K 5% 1/16W
R916	1-218-883-11	RES, CHIP	33K (1608)			R994	1-216-296-91 SHORT 0
R917	1-218-871-11	RES, CHIP	10K (1608)			R995	1-218-875-11 RES, CHIP 15K (1608)
R918	1-218-879-11	RES, CHIP	22K (1608)			R996	1-216-864-11 METALCHIP 0 5% 1/16W
R919	1-218-891-11	RES, CHIP	68K (1608)				
R920	1-218-859-11	RES, CHIP	3.3K (1608)			< COMPOSITION CIRCUIT BLOCK >	
R922	1-218-847-11	RES, CHIP	1.0K (1608)			RB301	1-236-907-11 NETWORK RESISTOR (CHIP) 100K
R923	1-216-833-11	METALCHIP	10K 5%	1/16W		RB901	1-236-907-11 NETWORK RESISTOR (CHIP) 100K
R924	1-216-853-11	METALCHIP	470K 5%	1/16W		RB903	1-239-446-11 NETWORK RESISTOR (CHIP) 330K
R925	1-216-813-11	METALCHIP	220 5%	1/16W		RB904	1-239-389-11 NETWORK RESISTOR (CHIP) 47K
R926	1-216-845-11	METALCHIP	1 00K 5%	1/16W		< VARIABLE RESISTOR >	
R927	1-216-843-11	METALCHIP	68K 5%	1/16W		RV301	1-225-549-11 RES, VAR, CARBON 10K/10K (REC LEVEL(ANALOG))
R928	1-216-821-11	METALCHIP	1K 5%	1/16W		RV302	1-223-889-11 RES, VAR, CARBON 50K/50K (HEADPHONES-LEVEL)
R929	1-216-833-11	METALCHIP	10K 5%	1/16W		< SWITCH >	
R930	1-216-813-11	METALCHIP	220 5%	1/16W		s951	1-771-218-11 SWITCH, MICRO (LION)
R931	1-218-899-11	RES, CHIP	150K (1608)			s952	1-571-914-11 SWITCH, KEYBOARD(CLOCKSET)
R932	1-218-899-11	RES, CHIP	150K (1608)			s953	1-771-218-11 SWITCH, MICRO (RELEASE)
R933	1-216-815-11	METALCHIP	330 5%	1/16W		s954	1-572-473-11 SWITCH, TACTIL (RESET)
R934	1-216-833-11	METALCHIP	10K 5%	1/16W		< TRANSFORMER >	
R935	1-218-887-11	RES, CHIP	47K (1608)			T901	1-431-542-11 TRANSFORMER, CONVERTER
R936	1-218-887-11	RES, CHIP	47K (1608)			< THERMISTOR(POSITIVE) >	
R937	1-218-887-11	RES, CHIP	47K (1608)			△THP901	1-810-792-11 THERMISTOR, POSITIVE
R938	1-218-887-11	RES, CHIP	47K (1608)			< VIBRATOR >	
R939	1-216-864-11	METALCHIP	0 5%	1/16W		X901	1-767-690-11 VIBRATOR, CERAMIC 10MHZ
R940	1-216-864-11	METALCHIP	0 5%	1/16W		*****	
R941	1-216-864-11	METALCHIP	0 5%	1/16W		A-3293-755-A REC BOARD	
R942	1-216-851-11	METALCHIP	330K 5%	1/16W		*****	
R943	1-216-821-11	METALCHIP	1K 5%	1/16W		< CAPACITOR >	
R944	1-216-821-11	METALCHIP	1K 5%	1/16W		c401	1-107-826-11 CERAMIC CHIP 0.1uF 10% 16V
R945	1-216-821-11	METALCHIP	1K 5%	1/16W		C402	1-107-810-11 TANTAL. CHIP 33uF 20% 4v
R946	1-216-845-11	METALCHIP	100K 5%	1/16W		C403	1-109-814-11 CAPACITOR 220PF 5% 100V
R947	1-216-851-11	METALCHIP	330K 5%	1/16W		< DIODE >	
R948	1-216-849-11	METALCHIP	220K 5%	1/16W		D401	8-719-046-86 DIODE F1J6TP
R952	1-216-857-11	METALCHIP	1M 5%	1/16W		D402	8-719-046-86 DIODE F1J6TP
R958	1-216-864-11	METALCHIP	0 5%	1/16W			
R960	1-247-729-11	CARBON	15 5%	1/2W	F		
R961	1-218-891-11	RES, CHIP	68K (1608)				
R964	1-216-797-11	METALCHIP	10 5%	1/16W			
R966	1-216-809-11	METALCHIP	100 5%	1/16W			
R967	1-216-831-11	METALCHIP	6.8K 5%	1/16W			
R969	1-216-857-11	METALCHIP	1M 5%	1/16W			
R970	1-218-899-11	RES, CHIP	150K (1608)				
R971	1-218-899-11	RES, CHIP	150K (1608)				
R973	1-216-851-11	METALCHIP	330K 5%	1/16W			
R974	1-216-851-11	METALCHIP	330K 5%	1/16W			
R975	1-216-851-11	METALCHIP	330K 5%	1/16W			
R976	1-216-851-11	METALCHIP	330K 5%	1/16W			
R977	1-218-887-11	RES, CHIP	47K (1608)				
R978	1-218-903-11	RES, CHIP	220K (1608)				
R979	1-218-899-11	RES, CHIP	150K (1608)				
R980	1-216-134-00	METALCHIP	2.2 5%	1/8W			

The components identified by mark △ or dotted line with mark △ are critical for safety. Replace only with part numbers specified.

REC

STATION CN

STATION SW1

STATION SW2

Ref.	o Part No.	Description	Remarks
		<TRANSISTOR>	
Q401	8-729-024-44	TRANSISTOR 2SK2315TYTR	
Q402	8-729-024-44	TRANSISTOR 2SK2315TYTR	
Q403	8-729-024-44	TRANSISTOR 2SK2315TYTR	
Q404	8-729-024-44	TRANSISTOR 2SK2315TYTR	

*	1-667-231-11	STATION CN BOARD *****	
		<CONNECTOR >	
CN655	1-766-559-21	CONNECTOR, FFC/FPC(NON-ZIF)22P	
		<RESISTOR >	
R620	1-216-864-11	METALCHIP 0	5% 1/16W
R622	1-216-864-11	METALCHIP 0	5% 1/16W
R623	1-216-864-11	METALCHIP 0	5% 1/16W
R624	1-216-864-11	METALCHIP 0	5% 1/16W
R921	1-216-864-11	METALCHIP 0	5% 1/16W

*	1-667-233-11	STATION SW1 BOARD *****	
	3-708-377-01	SLIDER, SURF LOCK (16P)	
		<CONNECTOR >	
* CN602	1-569-529-11	HOUSING, CONNECTOR 14P	
CN603	I-569-530-11	HOUSING, CONNECTOR 16P	
		<RESISTOR >	
R608	1-218-867-11	RES, CHIP	6.8K (1608)
R609	1-218-871-11	RES, CHIP	10K (1608)
R610	1-218-867-11	RES, CHIP	6.8K (1608)
R611	1-218-871-11	RES, CHIP	10K (1608)
R612	1-218-875-11	RES, CHIP	15K (1608)
R613	1-218-883-11	RES, CHIP	33K (1608)
R614	1-218-887-11	RES, CHIP	47K (1608)
R615	1-218-867-11	RES, CHIP	6.8K (1608)
R616	1-218-871-11	RES, CHIP	10K (1608)
R617	1-218-875-11	RES, CHIP	15K (1608)
R618	1-218-883-11	RES, CHIP	33K (1608)
R619	1-218-887-11	RES, CHIP	47K (1608)
R625	1-216-833-11	METALCHIP	10K 5% 1/16W
R626	1-216-833-11	METALCHIP	10K 5% 1/16W
R628	1-216-833-11	METAL CHIP	10K 5% 1/16W
R629	1-216-833-11	METALCHIP	10K 5% 1/16W
		<SWITCH >	
S615	I-771-053-21	SWTCH, KEYBOARD (CAPS)	
S616	I-771-053-21	SWTCH, KEYBOARD (→)	
S617	I-771-053-21	SWTCH, KEY BOARD (C)	
S618	I-771-053-21	SWTCH, KEYBOARD (DISPLAY)	

Ref. No.	Part No.	Description	Remarks
S619	I-771-053-21	SWTCH, KEY BOARD (MODE)	
S620	I-771-053-21	SWTCH, KEY BOARD (UNDO)	
S621	I-771-053-21	SWTCH, KEYBOARD (TRACKMARK)	
S622	I-771-053-21	SWTCH, KEYBOARD (MOVE/INSERT)	
S623	I-771-053-21	SWTCH, KEYBOARD (ERASE/DELETE)	
S624	I-771-053-21	SWTCH, KEY BOARD (TITLE/ENTER)	
S625	I-771-053-21	SWTCH, KEY BOARD (SELECT)	
S626	I-771-053-21	SWTCH, KEY BOARD (INPUT POSITION →)	
S627	I-771-053-21	SWTCH, KEY BOARD (INPUT POSITION ←)	
S628	I-771-053-21	SWTCH, KEY BOARD (↑)	
S629	I-771-053-21	SWTCH, KEYBOARD (↓)	

*	1-667-234-11	STATION SW2 BOARD *****	
		<CONNECTOR >	
* CN601	1-569-529-11	HOUSING, CONNECTOR 14P	
		<RESISTOR >	
R601	1-218-867-11	RES, CHIP	6.8K (1608)
R602	1-218-871-11	RES, CHIP	10K (1608)
R603	1-218-867-11	RES, CHIP	6.8K (1608)
R604	1-218-871-11	RES, CHIP	10K (1608)
R605	1-218-875-11	RES, CHIP	15K (1608)
R606	I-218-883-11	RES, CHIP	33K (1608)
R630	1-216-864-11	METALCHIP 0	5% 1/16W
R631	1-216-864-11	METALCHIP 0	5% 1/16W
R632	1-216-864-11	METALCHIP 0	5% 1/16W
		<SWITCH >	
S601	I-771-053-21	SWTGH, KEYBOARD (TIME MACHINE REC)	
S602	1-771-053-21	SWTCH, KEY BOARD (ACTIVESP LEVEL+)	
S603	1-771-053-21	SWTCH, KEY BOARD (ACTIVE SP LEVEL-)	
S604	1-771-053-21	SWTCH, KEYBOARD(■)	
S605	1-771-053-21	SWTCH, KEY BOARD(◀▶)	
S606	1-771-053-21	SWTCH, KEY BOARD (▶▶)	
S607	1-771-053-21	SWTCH, KEY BOARD (II)	
S608	1-771-053-21	SWTCH, KEY BOARD(END SEARCH)	
S609	I-771-053-21	SWTCH, KEYBOARD(POWER)	
S610	1-771-053-21	SWTCH, KEY BOARD (▷)	
S611	1-572-467-41	SWTCH, PUSH (1 KEY) (REC)	
S612	I-762-079-11	SWTCH, SLIDE (INPUT)	
S613	I-762-079-11	SWTCH, SLIDE (TIMER)	
S614	1-762-078-11	SWTCH, SLIDE (SYNCREC)	
S630	1-572-467-41	SWTCH, PUSH (1 KEY) (PUSH OPEN)	

MZ-R5ST

SW

Ref. No.	Part No.	Description	Remarks
*	1-667-219-11	SWBOARD *****	
		< RESISTOR >	
R844	1-218-867-11	RES, CHIP 6.8K (1608)	
R845	1-218-871-11	RES, CHIP 10K (1608)	
		< SWITCH >	
S801	1-572-921-11	SWITCH, KEY BOARD (II)	
S802	1-572-921-11	SWITCH, KEY BOARD (END. SEARCH)	
S803	1-572-921-11	SWITCH, KEY BOARD (TRACKMARK)	

		MISCELLANEOUS *****	
	1-778-356-11	CONNECTOR, CONTACT	
58	i-475-368-11	SW UNIT	
63	1-782-708-11	WIRE (FLAT TYPE) (20 CORE)	
101	1-667-210-11	MFLEXIBLEBOARD	
104	1-667-690-1 1	CLVFLEXIBLE BOARD	
△117	X-4949-256-1	OPTICAL PICK-UP ASSY (KMS-280A/JZN)	
136	1-667-211-11	MTORFLEXIBLEBOARD	
* 154	1-528-797-11	BATTERY, NI-CD	
158	1-801-897-11	ELEMENT, EL LUMINOUS	
161	1-667-281-11	LCD/EL FLEXIBLE BOARD	
187	1-782-719-11	WIRE (FLAT TYPE) (14 CORE)	
189	1-782-851-11	WIRE (FLAT TYPE) (16 CORE)	
201	1-782-852-11	WIRE (FLAT TYPE) (22 CORE)	
218	1-782-850-11	WIRE (FLAT TYPE) (6 CORE)	
LCD801	1-801-903-11	LCD	
LCD901	1-801-898-11	LCDMODULE	
M901	1-763-011-11	MOTOR	
M902	A-3311-972-A	MOTOR BLOCK ASSY, SLED	
M903	A-3320-037-A	STEPPER BLOCKASSY	
M931	A-3304-761-A	MOTORASSY	

Ref. No.	Part No.	Description	Remarks
		ACCESSORIES & PACKING MATERIALS *****	
	3-860-705-11	MANUAL, INSTRUCTION (ENGLISH, FRENCH, GERMAN, SPANISH)	
	3-860-705-41	MANUAL, INSTRUCTION (JAPANESE, CHINESE, KOREAN)	
	X-3329-657-1	ATTACHMENT ASSY	
	X-3329-657-1	ATTACHMENT	
	1-475-375-21	REMOTE CONTROL UNIT (RM-MZR50)	
	1-475-455-11	ADAPTOR, AC (AC-MZR5ST)	
	i-569-007-11	ADAPTOR, CONVERSION 2P	
	1-759-277-21	CASE, BATTERY (EBP-MZR4)	
	3-704-275-01	BAG (STANDARD), PROTECTION	
	4-972-888-01	CASE, CARRYING	
	B-917-614-90	REMTECOMMANDER RMT-CR5ST SET	
	B-953-218-90	HEADPHONE MDR-E838SP//K SET	

		HARDWARELIST *****	
#1	7-685-104-11	SCREW +P 2x6 TYPE2 NON-SLIT	
#2	7-685-135-14	SCREW +P 2.6 x 10 TYPE2 NON-SLIT	
#3	7-627-554-07	SCREW,PRECISION +P 2x2.2	
#4	7-685-105-14	SCREW,PRECISION +P 2 x 8 TYPE2 NON-SLIT	

The components identified by mark △ or dotted line with mark A are critical for safety. Replace only with part numbers specified.